

PIPING NOTES
REFER TO SPECIFICATION SECTION 15130 FOR DETAILS

1. ALL PIPING SHALL BE IN ACCORDANCE WITH THE TITLE PAGE OF THE WASHINGTON ADMINISTRATIVE CODE, THE A.S.M. DESIGNATION NUMBER D-1705, AND THE NSF SSI FOR POSSIBLE WATER.

2. ALL PIPING DESIGNED FOR 6"/SECOND MAXIMUM VELOCITY, 10"/SECOND MAXIMUM PRESSURE, AND 3"/SECOND MAXIMUM GRADIENT.

3. EXCEED 2" SECTION SHALL CARRY 100% OF RECIRCULATION RATE AT A VELOCITY NOT TO EXCEED 1.5' PER SECOND.

4. ALL PIPING MUST BE Laid ON A GRADE SO IT WILL DRAIN COMPLETELY BY GRAVITY.

5. ALL ELEVATIONS TO BE FIELD VERIFIED TO ALLOW FOR PROPER FITS AND BRANDES PITCH - APPROX. 1/16" TO 1/8" PER FOOT. CONTRACTOR SHALL MAKE EVERY EFFORT TO CORRECT THE USE OF FITTINGS TO REDUCE HEAD.

6. THIS DRAWING IS INTENDED FOR SCHEMATIC USE ONLY. FINAL LOCATIONS SHALL BE FIELD VERIFIED WITH ALL OTHER TRADES BY CONTRACTOR.

7. CONTRACTOR SHALL COORDINATE ALL WORK WITH ARCHITECTURAL, MECHANICAL, ELECTRICAL, AND STRUCTURAL DRAWINGS.

8. ALL DRAIN FITTINGS TO CARRY LOADS OF RECIRCULATION RATE AT A VELOCITY NOT TO EXCEED 1.5' PER SECOND THROUGH THE CLEAR AREA OF THE GRADE. THE NET OPEN AREA OF THE MAIN DRAIN GRATES SHALL BE AT LEAST FOUR TIMES THE AREA OF THE DISCHARGE PIPE.

9. PRESSURE GAUGES TO BE INSTALLED ON ALL PUMP DISCHARGES. COMPOUND GAUGES TO BE INSTALLED ON ALL PUMP SECTIONS.

10. VALVES:
10a. PROVIDE OPERATING VALVES & REAR OPERATED AIR-SERVICE BUTTERFLY VALVES WITH VALVE EXTENSION FOR ALL PUMP & SURGE TANK DRAIN LINES.

11. EACH VALVE SHALL HAVE A PERFORMANCE DESCRIPTION LABEL OR TAG ATTACHED TO IT. THE SEQUENCE OF OPERATION, BRIEFLY STATED, SHALL BE PROMINENTLY DISPLAYED.

12. FLOWMETERS SHALL BE PROVIDED IN THE FLOWMETER DISCHARGE LINE AND IN EACH INLET RETURN LINE AS INDICATED ON THE DRAWINGS. FLOWMETERS SHALL BE INSTALLED ON A STRAIGHT LENGTH OF PIPE WITHOUT ANY VALVE, ELBOW OR OTHER OBSTRUCTION UPSTREAM AND 5' PIPE DIAMETERS DOWNSTREAM FROM THE FLOWMETER. UNINTERRUPTED FLOW OR INSTALL PER MANUFACTURER'S RECOMMENDATIONS.

13. MAIN FLOWMETER SHALL BE USED TO MONITOR THROUGHPUT RATE.

14. FILTERS:
14a. FILTER SHALL BE PROVIDED WITH THE FOLLOWING APPROPRIATELY LOCATED ACCESSORIES: 1. BACKWASH WATER SUPPLY LINE WITH WATER DISCHARGE TUB AND VALVED AIR RELIEF PRINCIPAL VALVED DRAIN LINE.

15. HEATERS:
15a. EQUIPPED WITH THERMOMETERS, 80-240 DEGREES F WITH 2 DEGREE GRADATIONS; AUTOMATIC TEMPERATURE CONTROL; LOW VOLTAGE; HIGH LIMIT SWITCH; HIGH LIMIT SWITCH; AUTOMATIC TEMPERATURE SHUTDOWN; PROTECTED AND PIPED TO WITHIN 6" OF FLOOR; THE AUTOMATIC TEMPERATURE SHUTDOWN SHALL BE INSTALLED IN THE MAIN DRAIN LINE; THE AUTOMATIC TEMPERATURE SHUTDOWN SHALL BE INSTALLED IN THE MAIN DRAIN LINE; THE AUTOMATIC TEMPERATURE SHUTDOWN SHALL BE INSTALLED IN THE MAIN DRAIN LINE; THE AUTOMATIC TEMPERATURE SHUTDOWN SHALL BE INSTALLED IN THE MAIN DRAIN LINE.

SECTION 15130. CONTRACTOR SHALL:

1. VERIFY FLOOR FINISH LOCATIONS WITH SECTION 15165 CONTRACTOR.

2. COORDINATE ALL PIPING AND EMBEDMENTS WITH AFFECTED TRADES.

3. REFER TO PL3.00-3 FOR REINFORCEMENT AT PIPE PENETRATIONS.

4. ALL CONNECTIONS & HANGERS IN SURGE TANK TO BE STAINLESS STEEL.

5. PROVIDE AS BUILT PIPING SCHEMATICS.

6. SEE CIVIL DRAWINGS FOR SITE PIPING.

7. PIPING IS SPREAD OUT FOR CLARITY.

8. CONTRACTOR CAN STACK PIPES IN THE TRENCH.

9. ARROW DENOTES DIRECTION OF FLOW.

10. * CHANGE IN ELEVATION REQUIRED AT THIS POINT.

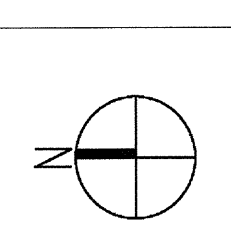
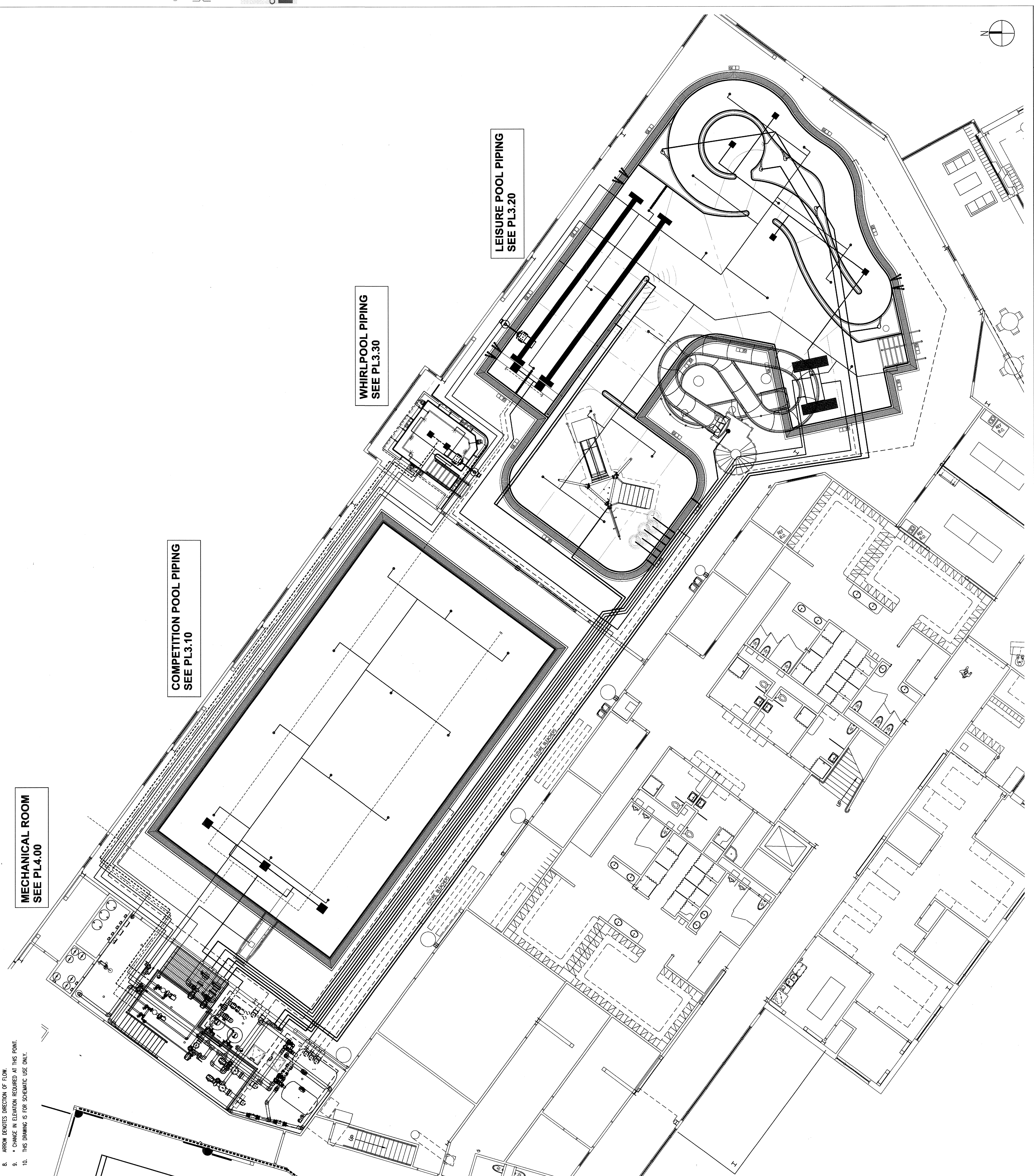
11. THIS DRAWING IS FOR SCHEMATIC USE ONLY.

**MECHANICAL ROOM
SEE PL4.00**

**COMPETITION POOL PIPING
SEE PL3.10**

**WHIRLPOOL PIPING
SEE PL3.30**

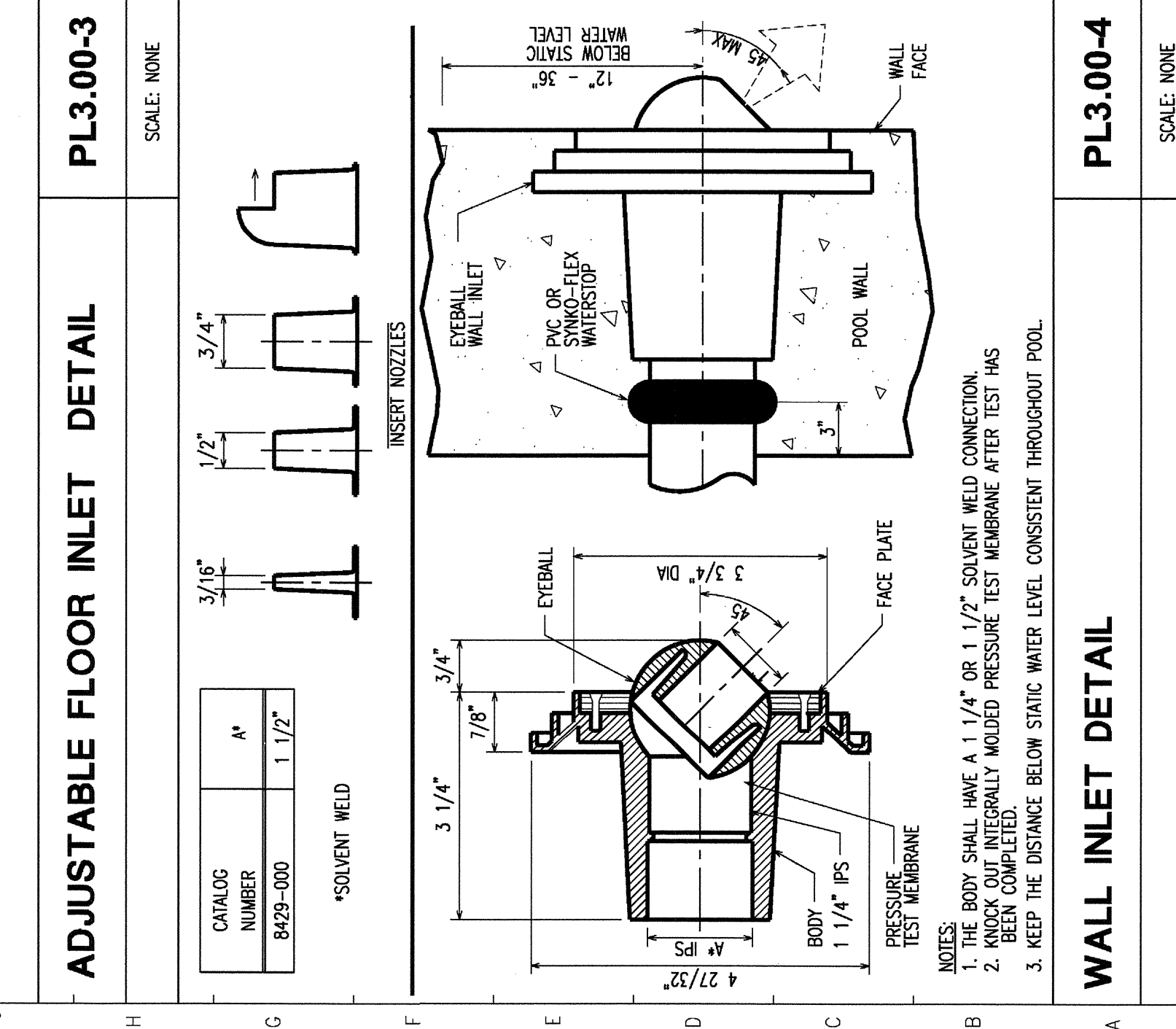
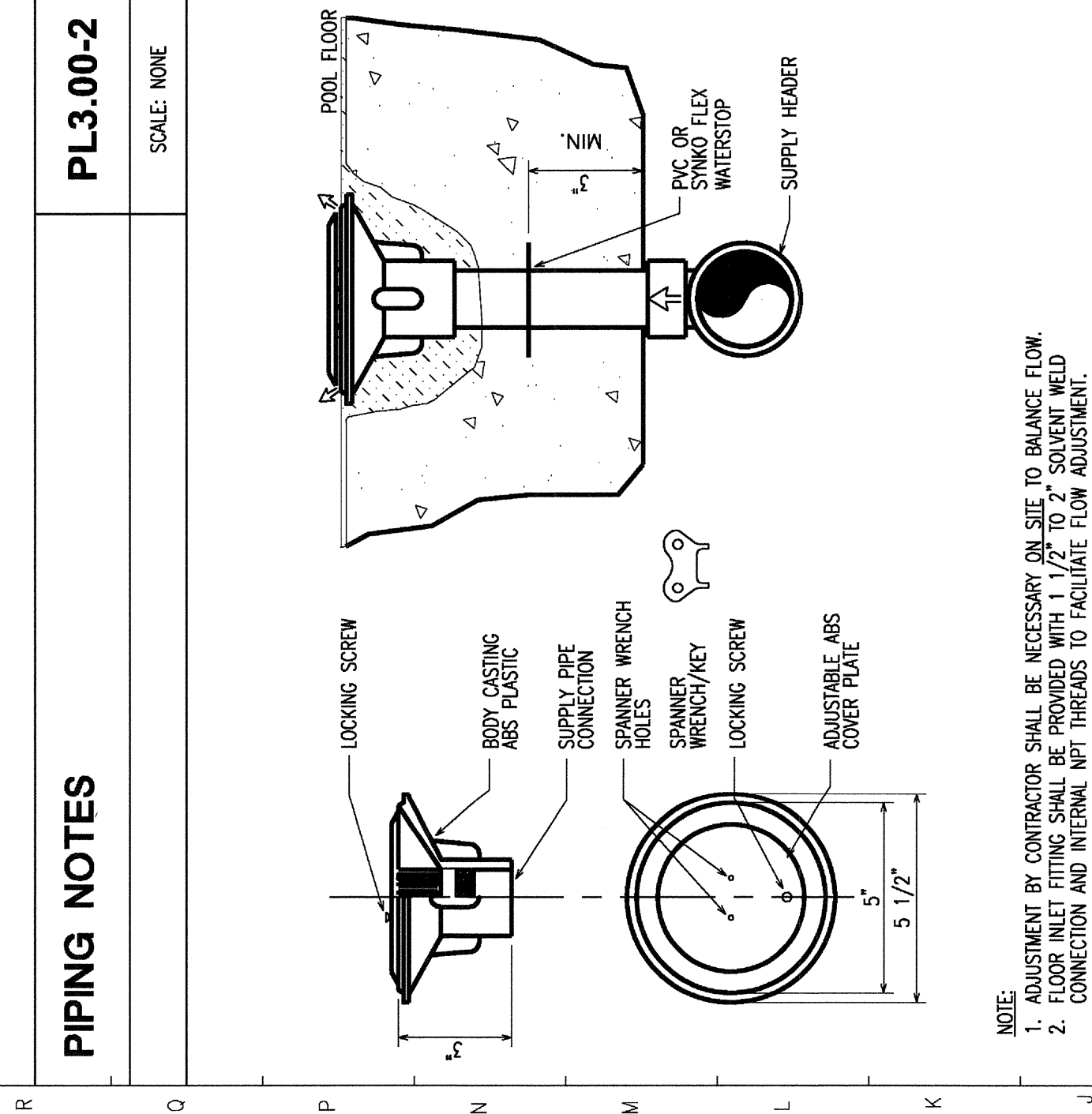
**LEISURE POOL PIPING
SEE PL3.20**



DD 10 11 12 13 14 15 16 17 18 19 20 21 22 23 24 25 26 27 28 29 30 31 32 33 34 35 36

PL3.00-1 OVERALL PIPING PLAN VIEW SCALE: 1/8" = 1'-0"

PIPING NOTES
SCALE: NONE



PL3.00-2 PL3.00-3 PL3.00-4 WALL INLET DETAIL SCALE: NONE

1 2 3 4 5 6 7

PL3.00-1 OVERALL PIPING PLAN VIEW SCALE: 1/8" = 1'-0"

PL3.00-2 PL3.00-3 PL3.00-4 WALL INLET DETAIL SCALE: NONE

1 2 3 4 5 6 7

PL3.00-1 OVERALL PIPING PLAN VIEW SCALE: 1/8" = 1'-0"

PL3.00-2 PL3.00-3 PL3.00-4 WALL INLET DETAIL SCALE: NONE

1 2 3 4 5 6 7

PL3.00-1 OVERALL PIPING PLAN VIEW SCALE: 1/8" = 1'-0"

PL3.00-2 PL3.00-3 PL3.00-4 WALL INLET DETAIL SCALE: NONE

1 2 3 4 5 6 7

PL3.00-1 OVERALL PIPING PLAN VIEW SCALE: 1/8" = 1'-0"

PL3.00-2 PL3.00-3 PL3.00-4 WALL INLET DETAIL SCALE: NONE

1 2 3 4 5 6 7

PL3.00-1 OVERALL PIPING PLAN VIEW SCALE: 1/8" = 1'-0"

PL3.00-2 PL3.00-3 PL3.00-4 WALL INLET DETAIL SCALE: NONE

1 2 3 4 5 6 7

PL3.00-1 OVERALL PIPING PLAN VIEW SCALE: 1/8" = 1'-0"

PL3.00-2 PL3.00-3 PL3.00-4 WALL INLET DETAIL SCALE: NONE

1 2 3 4 5 6 7

PL3.00-1 OVERALL PIPING PLAN VIEW SCALE: 1/8" = 1'-0"

PL3.00-2 PL3.00-3 PL3.00-4 WALL INLET DETAIL SCALE: NONE

1 2 3 4 5 6 7

PL3.00-1 OVERALL PIPING PLAN VIEW SCALE: 1/8" = 1'-0"

PL3.00-2 PL3.00-3 PL3.00-4 WALL INLET DETAIL SCALE: NONE

1 2 3 4 5 6 7

PL3.00-1 OVERALL PIPING PLAN VIEW SCALE: 1/8" = 1'-0"

PL3.00-2 PL3.00-3 PL3.00-4 WALL INLET DETAIL SCALE: NONE

1 2 3 4 5 6 7

PL3.00-1 OVERALL PIPING PLAN VIEW SCALE: 1/8" = 1'-0"

PL3.00-2 PL3.00-3 PL3.00-4 WALL INLET DETAIL SCALE: NONE

1 2 3 4 5 6 7

PL3.00-1 OVERALL PIPING PLAN VIEW SCALE: 1/8" = 1'-0"

PL3.00-2 PL3.00-3 PL3.00-4 WALL INLET DETAIL SCALE: NONE

1 2 3 4 5 6 7

PL3.00-1 OVERALL PIPING PLAN VIEW SCALE: 1/8" = 1'-0"

PL3.00-2 PL3.00-3 PL3.00-4 WALL INLET DETAIL SCALE: NONE

1 2 3 4 5 6 7

PL3.00-1 OVERALL PIPING PLAN VIEW SCALE: 1/8" = 1'-0"

PL3.00-2 PL3.00-3 PL3.00-4 WALL INLET DETAIL SCALE: NONE

1 2 3 4 5 6 7

PL3.00-1 OVERALL PIPING PLAN VIEW SCALE: 1/8" = 1'-0"

PL3.00-2 PL3.00-3 PL3.00-4 WALL INLET DETAIL SCALE: NONE

1 2 3 4 5 6 7

PL3.00-1 OVERALL PIPING PLAN VIEW SCALE: 1/8" = 1'-0"

PL3.00-2 PL3.00-3 PL3.00-4 WALL INLET DETAIL SCALE: NONE

1 2 3 4 5 6 7

PL3.00-1 OVERALL PIPING PLAN VIEW SCALE: 1/8" = 1'-0"

PL3.00-2 PL3.00-3 PL3.00-4 WALL INLET DETAIL SCALE: NONE

1 2 3 4 5 6 7

PL3.00-1 OVERALL PIPING PLAN VIEW SCALE: 1/8" = 1'-0"

PL3.00-2 PL3.00-3 PL3.00-4 WALL INLET DETAIL SCALE: NONE

1 2 3 4 5 6 7

PL3.00-1 OVERALL PIPING PLAN VIEW SCALE: 1/8" = 1'-0"

PL3.00-2 PL3.00-3 PL3.00-4 WALL INLET DETAIL SCALE: NONE

1 2 3 4 5 6 7

PL3.00-1 OVERALL PIPING PLAN VIEW SCALE: 1/8" = 1'-0"

PL3.00-2 PL3.00-3 PL3.00-4 WALL INLET DETAIL SCALE: NONE

1 2 3 4 5 6 7

PL3.00-1 OVERALL PIPING PLAN VIEW SCALE: 1/8" = 1'-0"

PL3.00-2 PL3.00-3 PL3.00-4 WALL INLET DETAIL SCALE: NONE

1 2 3 4 5 6 7

PL3.00-1 OVERALL PIPING PLAN VIEW SCALE: 1/8" = 1'-0"

PL3.00-2 PL3.00-3 PL3.00-4 WALL INLET DETAIL SCALE: NONE

1 2 3 4 5 6 7

PL3.00-1 OVERALL PIPING PLAN VIEW SCALE: 1/8" = 1'-0"

PL3.00-2 PL3.00-3 PL3.00-4 WALL INLET DETAIL SCALE: NONE

1 2 3 4 5 6 7

PL3.00-1 OVERALL PIPING PLAN VIEW SCALE: 1/8" = 1'-0"

PL3.00-2 PL3.00-3 PL3.00-4 WALL INLET DETAIL SCALE: NONE

1 2 3 4 5 6 7

PL3.00-1 OVERALL PIPING PLAN VIEW SCALE: 1/8" = 1'-0"

PL3.00-2 PL3.00-3 PL3.00-4 WALL INLET DETAIL SCALE: NONE

1 2 3 4 5 6 7

PL3.00-1 OVERALL PIPING PLAN VIEW SCALE: 1/8" = 1'-0"

PL3.00-2 PL3.00-3 PL3.00-4 WALL INLET DETAIL SCALE: NONE

1 2 3 4 5 6 7

PL3.00-1 OVERALL PIPING PLAN VIEW SCALE: 1/8" = 1'-0"

PL3.00-2 PL3.00-3 PL3.00-4 WALL INLET DETAIL SCALE: NONE

1 2 3 4 5 6 7

PL3.00-1 OVERALL PIPING PLAN VIEW SCALE: 1/8" = 1'-0"

PL3.00-2 PL3.00-3 PL3.00-4 WALL INLET DETAIL SCALE: NONE

1 2 3 4 5 6 7

PL3.00-1 OVERALL PIPING PLAN VIEW SCALE: 1/8" = 1'-0"

PL3.00-2 PL3.00-3 PL3.00-4 WALL INLET DETAIL SCALE: NONE

1 2 3 4 5 6 7

PL3.00-1 OVERALL PIPING PLAN VIEW SCALE: 1/8" = 1'-0"

PL3.00-2 PL3.00-3 PL3.00-4 WALL INLET DETAIL SCALE: NONE

1 2 3 4 5 6 7

PL3.00-1 OVERALL PIPING PLAN VIEW SCALE: 1/8" = 1'-0"

PL3.00-2 PL3.00-3 PL3.00-4 WALL INLET DETAIL SCALE: NONE

1 2 3 4 5 6 7

PL3.00-1 OVERALL PIPING PLAN VIEW SCALE: 1/8" = 1'-0"

PL3.00-2 PL3.00-3 PL3.00-4 WALL INLET DETAIL SCALE: NONE

1 2 3 4 5 6 7

PL3.00-1 OVERALL PIPING PLAN VIEW SCALE: 1/8" = 1'-0"

PL3.00-2 PL3.00-3 PL3.00-4 WALL INLET DETAIL SCALE: NONE

1 2 3 4 5 6 7

PL3.00-1 OVERALL PIPING PLAN VIEW SCALE: 1/8" = 1'-0"

PL3.00-2 PL3.00-3 PL3.00-4 WALL INLET DETAIL SCALE: NONE

1 2 3 4 5 6 7

PL3.00-1 OVERALL PIPING PLAN VIEW SCALE: 1/8" = 1'-0"

PL3.00-2 PL3.00-3 PL3.00-4 WALL INLET DETAIL SCALE: NONE

1 2 3 4 5 6 7

PL3.00-1 OVERALL PIPING PLAN VIEW SCALE: 1/8" = 1'-0"

PL3.00-2 PL3.00-3 PL3.00-4 WALL INLET DETAIL SCALE: NONE

1 2 3 4 5 6 7

PL3.00-1 OVERALL PIPING PLAN VIEW SCALE: 1/8" = 1'-0"

PL3.00-2 PL3.00-3 PL3.00-4 WALL INLET DETAIL SCALE: NONE

1 2 3 4 5 6 7

PL3.00-1 OVERALL PIPING PLAN VIEW SCALE: 1/8" = 1'-0"

PL3.00-2 PL3.00-3 PL3.00-4 WALL INLET DETAIL SCALE: NONE

1 2 3 4 5 6 7

PL3.00-1 OVERALL PIPING PLAN VIEW SCALE: 1/8" = 1'-0"

PL3.00-2 PL3.00-3 PL3.00-4 WALL INLET DETAIL SCALE: NONE

1 2 3 4 5 6 7

PL3.00-1 OVERALL PIPING PLAN VIEW SCALE: 1/8" = 1'-0"

PL3.00-2 PL3.00-3 PL3.00-4 WALL INLET DETAIL SCALE: NONE

1 2 3 4 5 6 7

PL3.00-1 OVERALL PIPING PLAN VIEW SCALE: 1/8" = 1'-0"

PL3.00-2 PL3.00-3 PL3.00-4 WALL INLET DETAIL SCALE: NONE

1 2 3 4 5 6 7

PL3.00-1 OVERALL PIPING PLAN VIEW SCALE: 1/8" = 1'-0"

PL3.00-2 PL3.00-3 PL3.00-4 WALL INLET DETAIL SCALE: NONE

1 2 3 4 5 6 7

PL3.00-1 OVERALL PIPING PLAN VIEW SCALE: 1/8" = 1'-0"

PL3.00-2 PL3.00-3 PL3.00-4 WALL INLET DETAIL SCALE: NONE

1 2 3 4 5 6 7

PL3.00-1 OVERALL PIPING PLAN VIEW SCALE: 1/8" = 1'-0"

PL3.00-2 PL3.00-3 PL3.00-4 WALL INLET DETAIL SCALE: NONE

1 2 3 4 5 6 7

PL3.00-1 OVERALL PIPING PLAN VIEW SCALE: 1/8" = 1'-0"

PL3.00-2 PL3.00-3 PL3.00-4 WALL INLET DETAIL SCALE: NONE

1 2 3 4 5 6 7

PL3.00-1 OVERALL PIPING PLAN VIEW SCALE: 1/8" = 1'-0"

PL3.00-2 PL3.00-3 PL3.00-4 WALL INLET DETAIL SCALE: NONE

1 2 3 4 5 6 7

PL3.00-1 OVERALL PIPING PLAN VIEW SCALE: 1/8" = 1'-0"

PL3.00-2 PL3.00-3 PL3.00-4 WALL INLET DETAIL SCALE: NONE

1 2 3 4 5 6 7

PL3.00-1 OVERALL PIPING PLAN VIEW SCALE: 1/8" = 1'-0"

PL3.00-2 PL3.00-3 PL3.00-4 WALL INLET DETAIL SCALE: NONE

1 2 3 4 5 6 7

PL3.00-1 OVERALL PIPING PLAN VIEW SCALE: 1/8" = 1'-0"

PL3.00-2 PL3.00-3 PL3.00-4 WALL INLET DETAIL SCALE: NONE

1 2 3 4 5 6 7

PL3.00-1 OVERALL PIPING PLAN VIEW SCALE: 1/8" = 1'-0"

PL3.00-2 PL3.00-3 PL3.00-4 WALL INLET DETAIL SCALE: NONE

1 2 3 4 5 6 7

PL3.00-1 OVERALL PIPING PLAN VIEW SCALE: 1/8" = 1'-0"

PL3.00-2 PL3.00-3 PL3.00-4 WALL INLET DETAIL SCALE: NONE

1 2 3 4 5 6 7

PL3.00-1 OVERALL PIPING PLAN VIEW SCALE: 1/8" = 1'-0"

PL3.00-2 PL3.00-3 PL3.00-4 WALL INLET DETAIL SCALE: NONE

1 2 3 4 5 6 7

PL3.00-1 OVERALL PIPING PLAN VIEW SCALE: 1/8" = 1'-0"

PL3.00-2 PL3.00-3 PL3.00-4 WALL INLET DETAIL SCALE