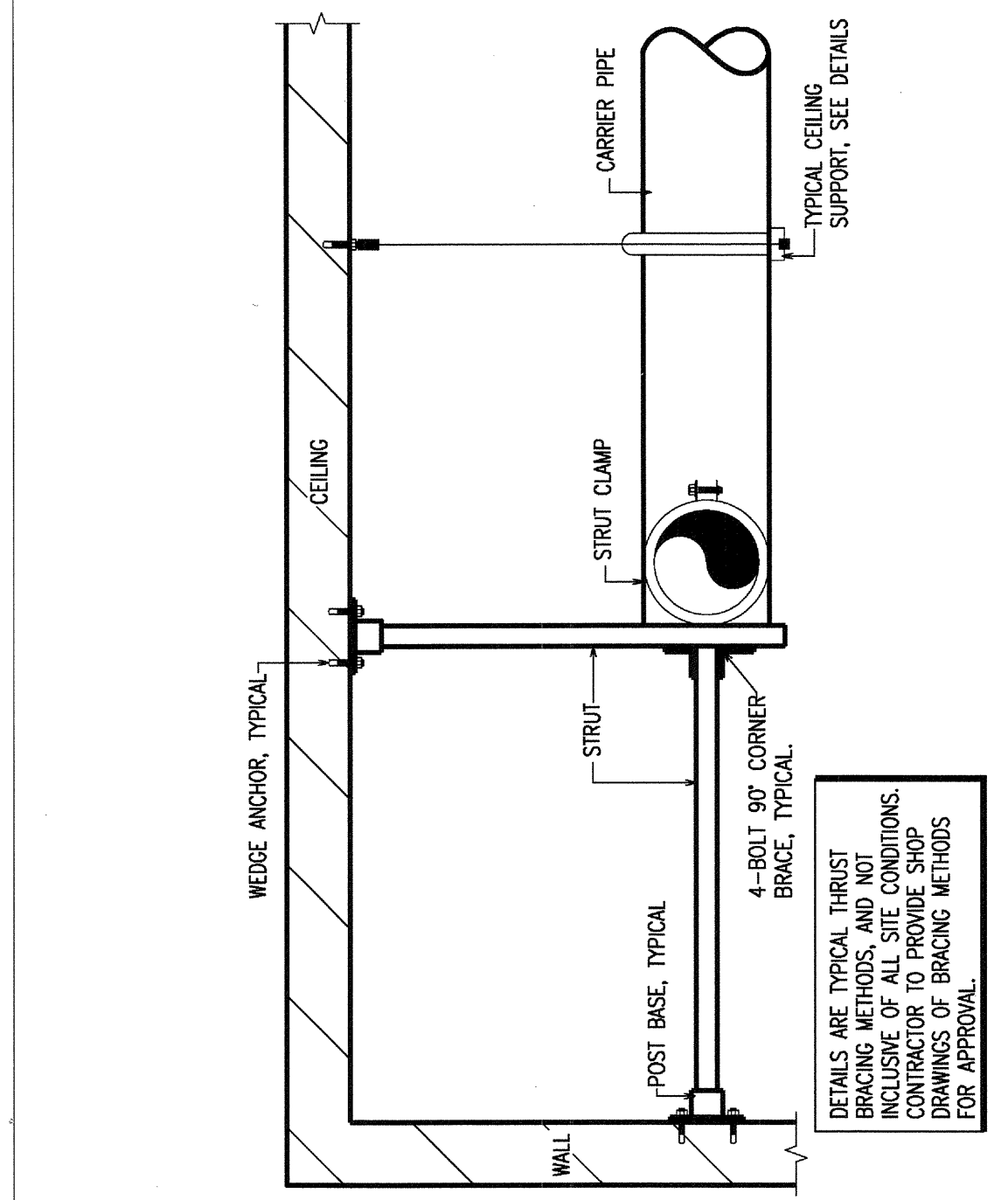
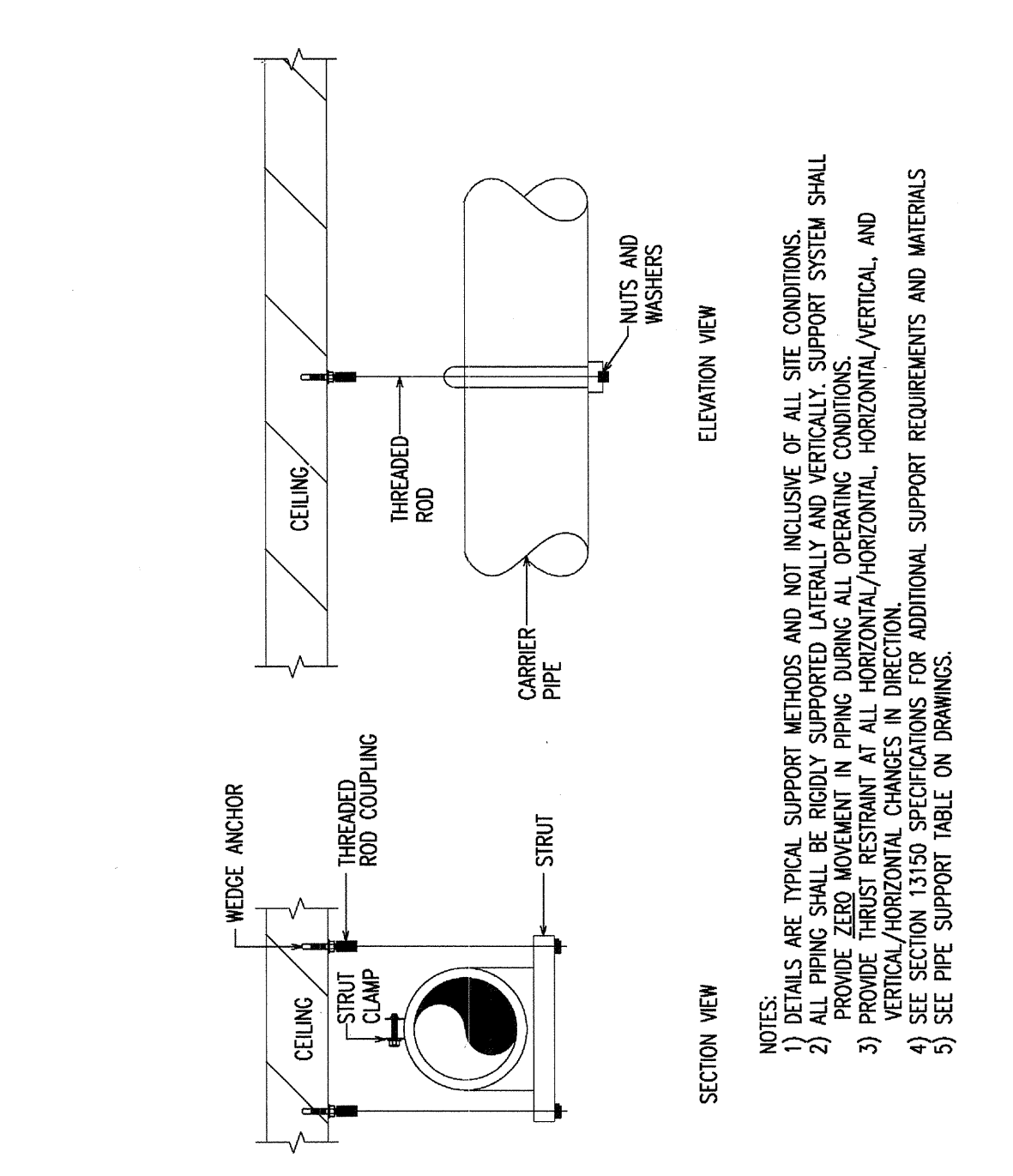


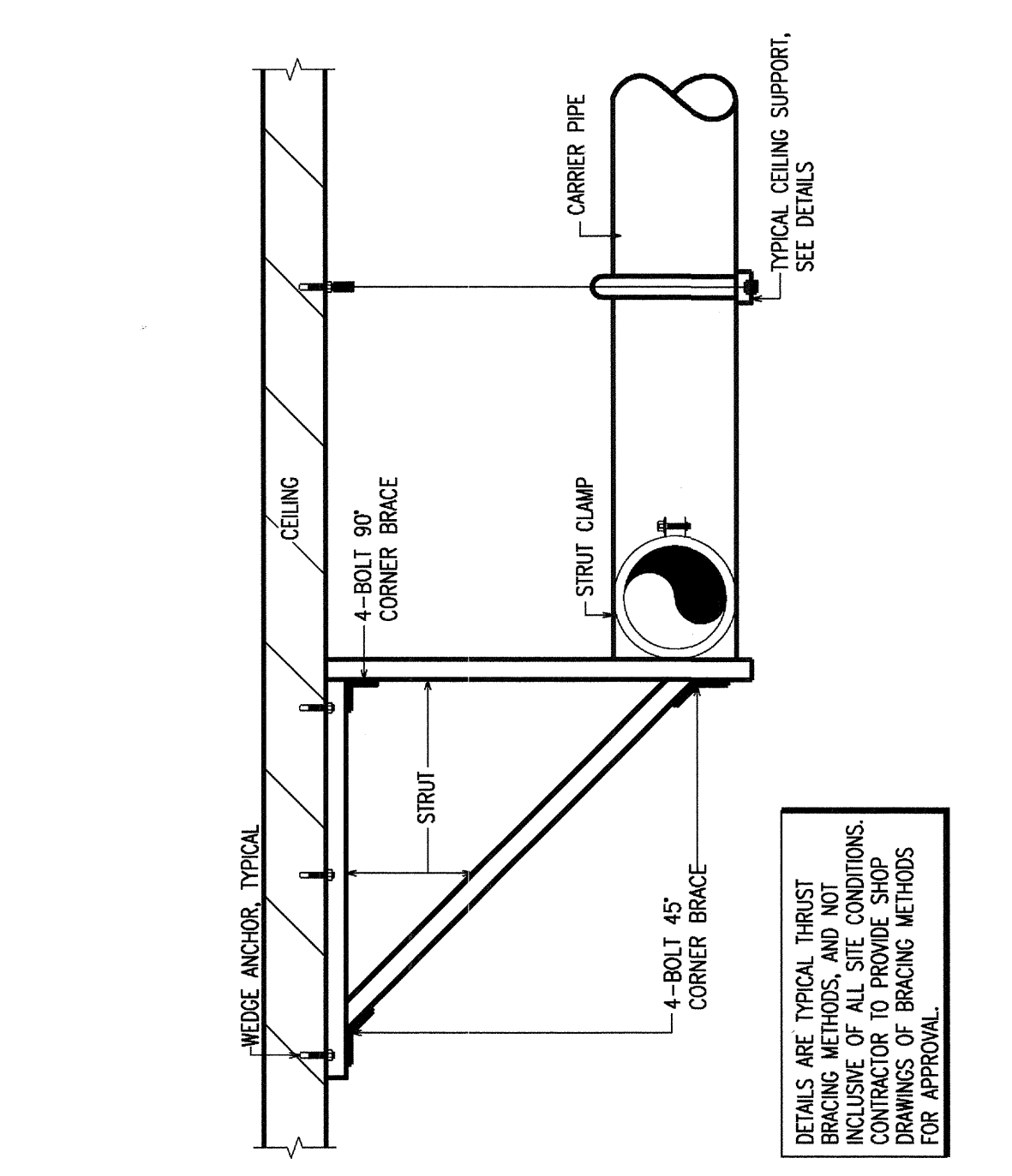
MAXIMUM ALLOWABLE SUPPORT SPACING (IN FEET)

| WORK PIPE SIZE (IN) | Schedule 40 | | | | | Schedule 80 | | | | |
|---------------------|-------------|--------|--------|--------|--------|-------------|--------|--------|--------|--------|
| | Temp F | Temp F | Temp F | Temp F | Temp F | Temp F | Temp F | Temp F | Temp F | Temp F |
| 1/2 | 4-1/2 | 4 | 2-1/2 | 2-1/2 | 2-1/2 | 40 | 40 | 40 | 40 | 40 |
| 3/4 | 4-1/2 | 4 | 2-1/2 | 2-1/2 | 2-1/2 | 50 | 50 | 50 | 50 | 50 |
| 1 | 5-1/2 | 5 | 3-1/2 | 3-1/2 | 3-1/2 | 60 | 60 | 60 | 60 | 60 |
| 1 1/4 | 5-1/2 | 5 | 3-1/2 | 3-1/2 | 3-1/2 | 80 | 80 | 80 | 80 | 80 |
| 1 1/2 | 5-1/2 | 5 | 3-1/2 | 3-1/2 | 3-1/2 | 100 | 100 | 100 | 100 | 100 |
| 2 | 6-1/2 | 6 | 4-1/2 | 4-1/2 | 4-1/2 | 120 | 120 | 120 | 120 | 120 |
| 2 1/2 | 7 | 7 | 5-1/2 | 5-1/2 | 5-1/2 | 140 | 140 | 140 | 140 | 140 |
| 3 | 7-1/2 | 7-1/2 | 6-1/2 | 6-1/2 | 6-1/2 | 160 | 160 | 160 | 160 | 160 |
| 4 | 8-1/2 | 8-1/2 | 7-1/2 | 7-1/2 | 7-1/2 | 180 | 180 | 180 | 180 | 180 |
| 5 | 9-1/2 | 9-1/2 | 8-1/2 | 8-1/2 | 8-1/2 | 200 | 200 | 200 | 200 | 200 |
| 6 | 10-1/2 | 10-1/2 | 9-1/2 | 9-1/2 | 9-1/2 | 220 | 220 | 220 | 220 | 220 |
| 8 | 11-1/2 | 11-1/2 | 10-1/2 | 10-1/2 | 10-1/2 | 240 | 240 | 240 | 240 | 240 |
| 10 | 12-1/2 | 12-1/2 | 11-1/2 | 11-1/2 | 11-1/2 | 260 | 260 | 260 | 260 | 260 |
| 12 | 13-1/2 | 13-1/2 | 12-1/2 | 12-1/2 | 12-1/2 | 280 | 280 | 280 | 280 | 280 |

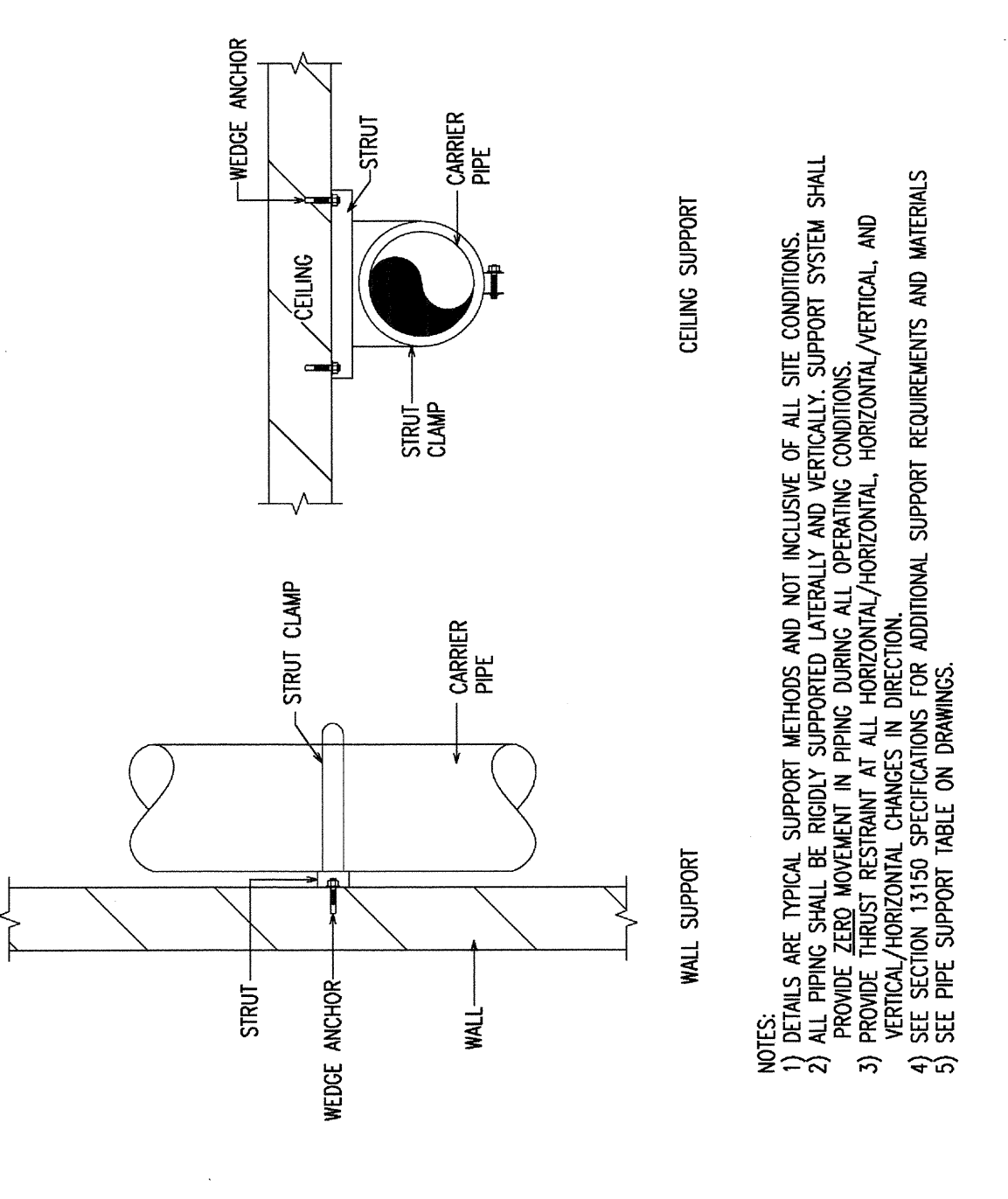
POOL PIPE SUPPORT NOTE
 SCALE: NONE



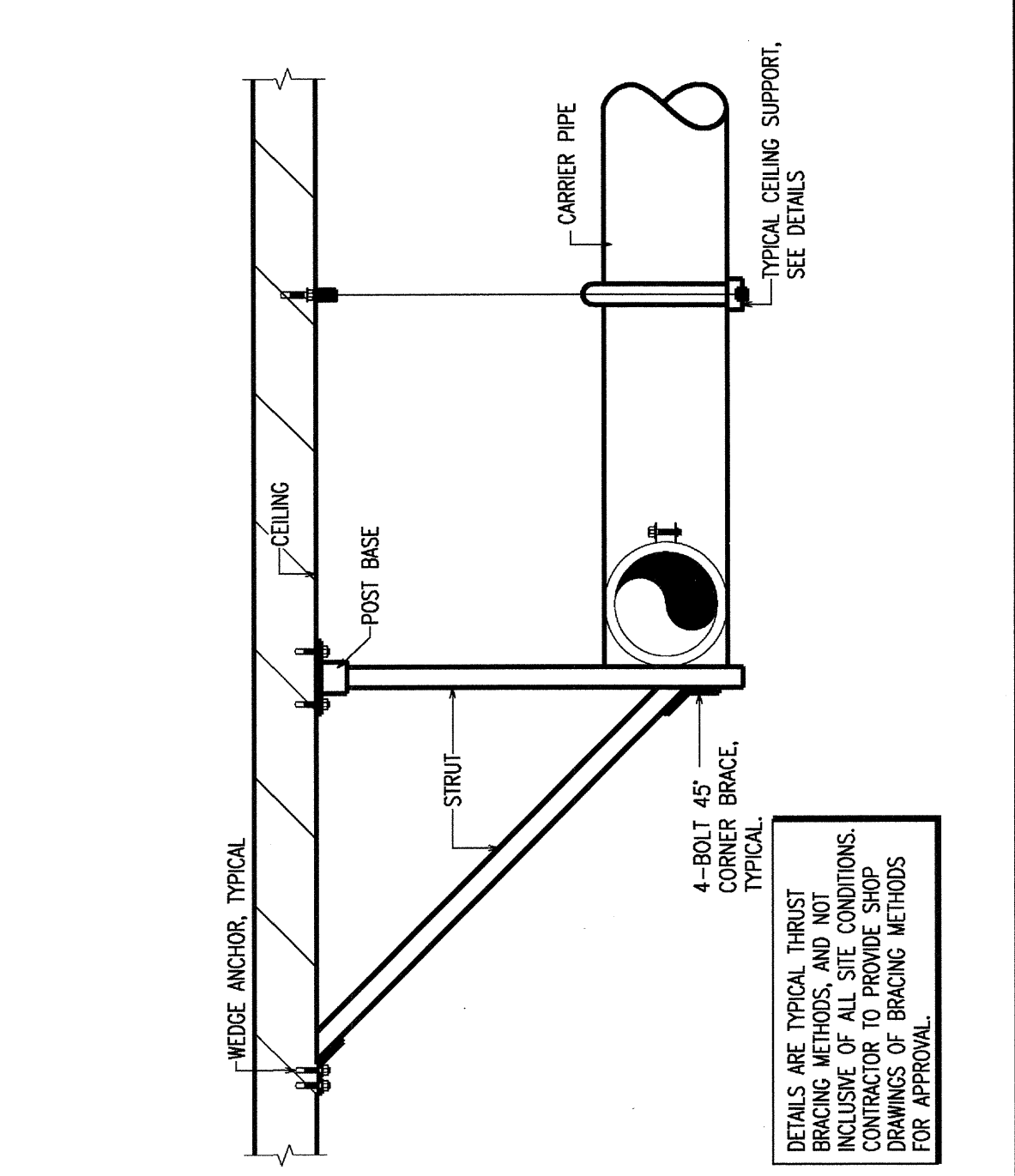
PL4.10-5
 TYPICAL THRUST BRACING DETAIL
 SCALE: NONE



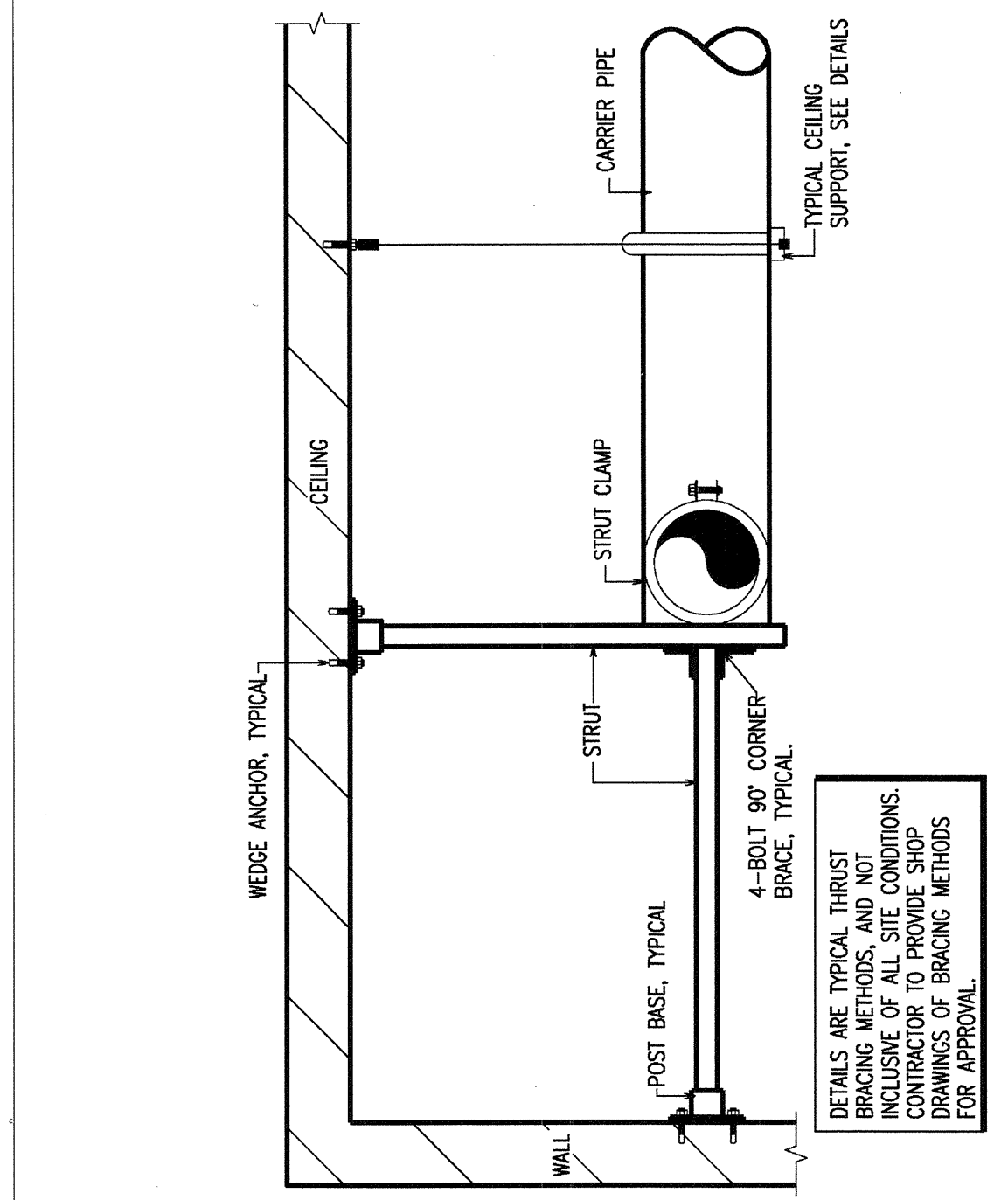
PL4.10-2
 TYPICAL PIPE SUPPORT DETAILS
 SCALE: NONE



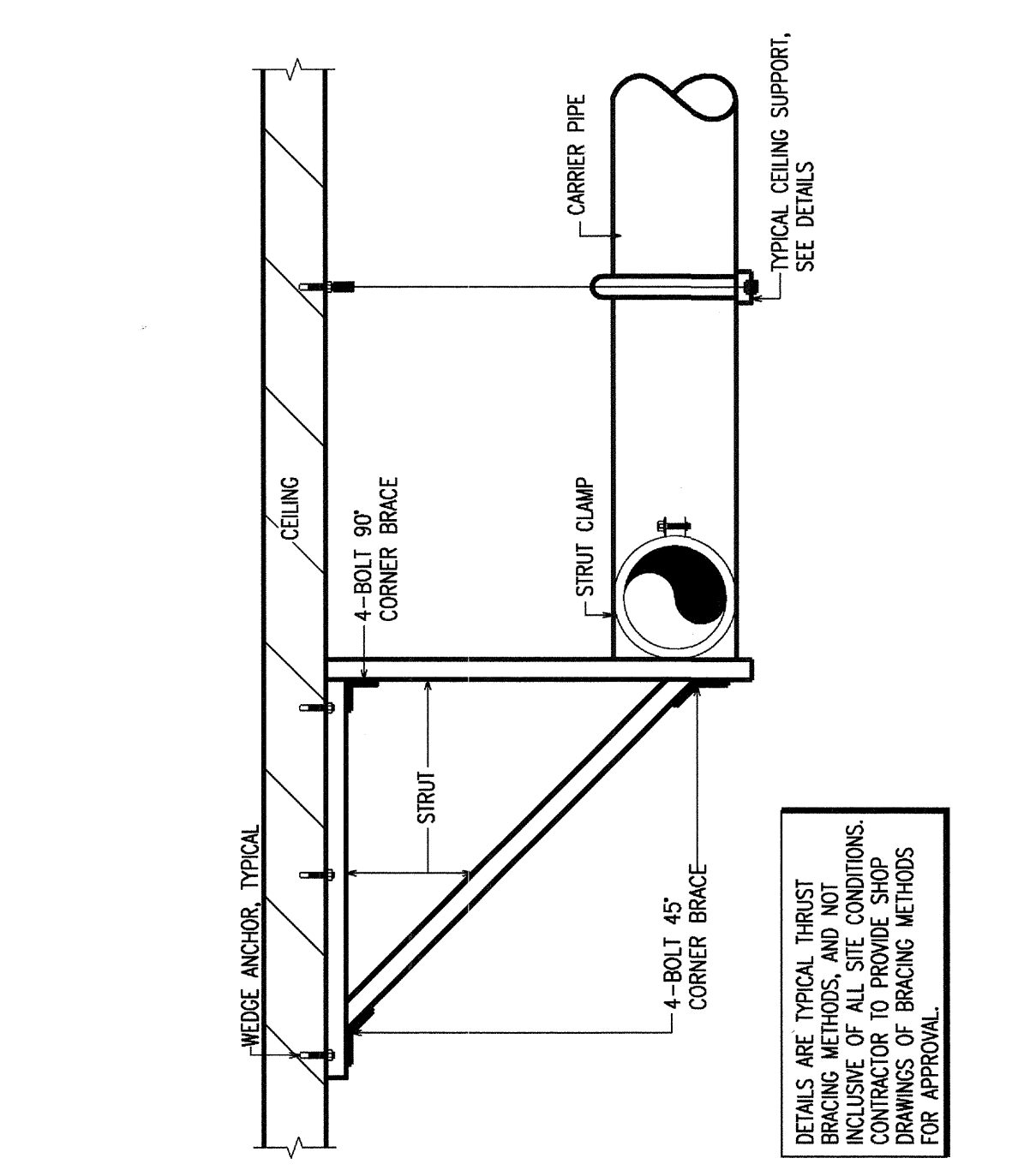
PL4.10-7
 TYPICAL PIPE SUPPORT DETAILS
 SCALE: NONE



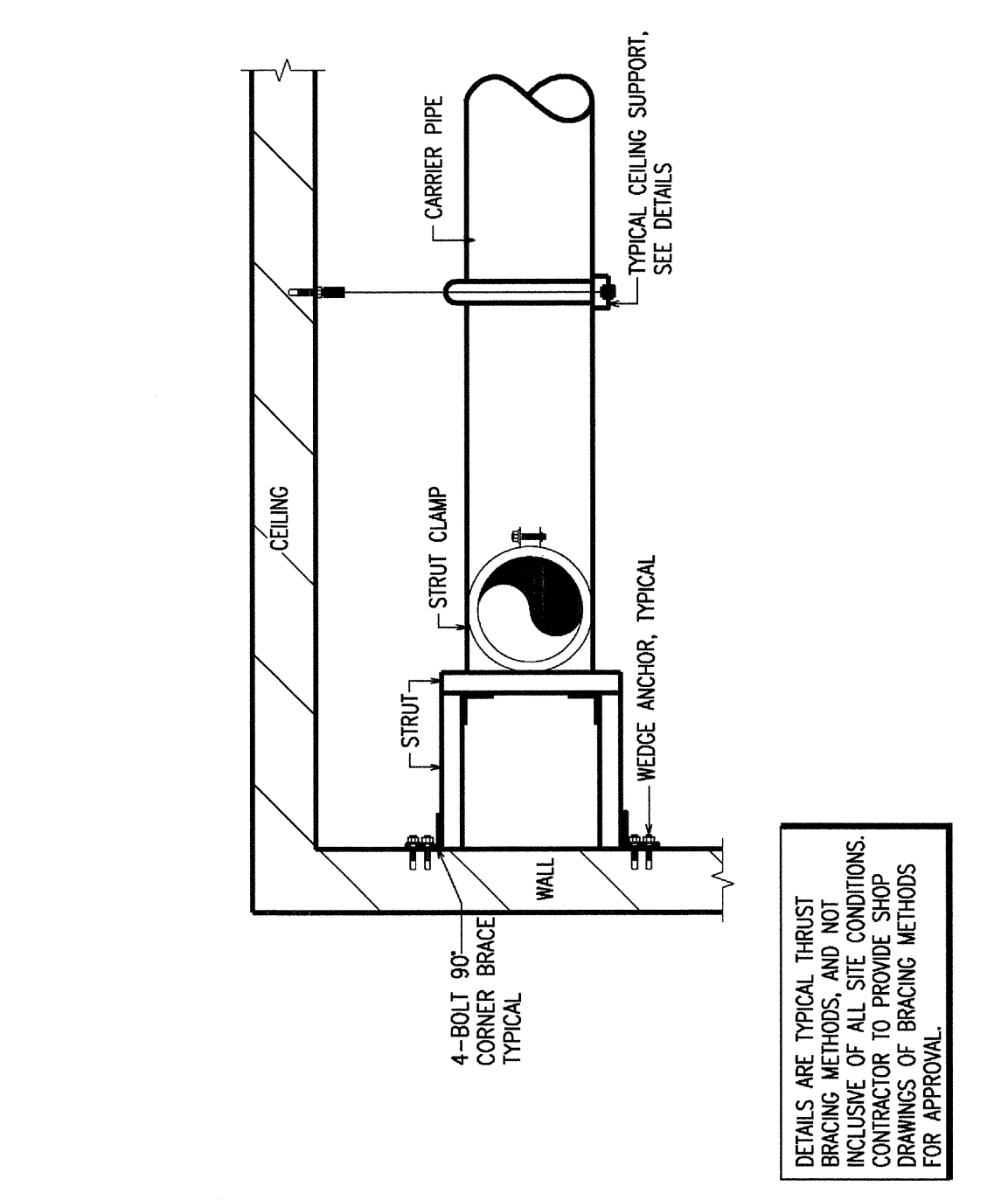
PL4.10-8
 TYPICAL THRUST BRACING DETAIL
 SCALE: NONE



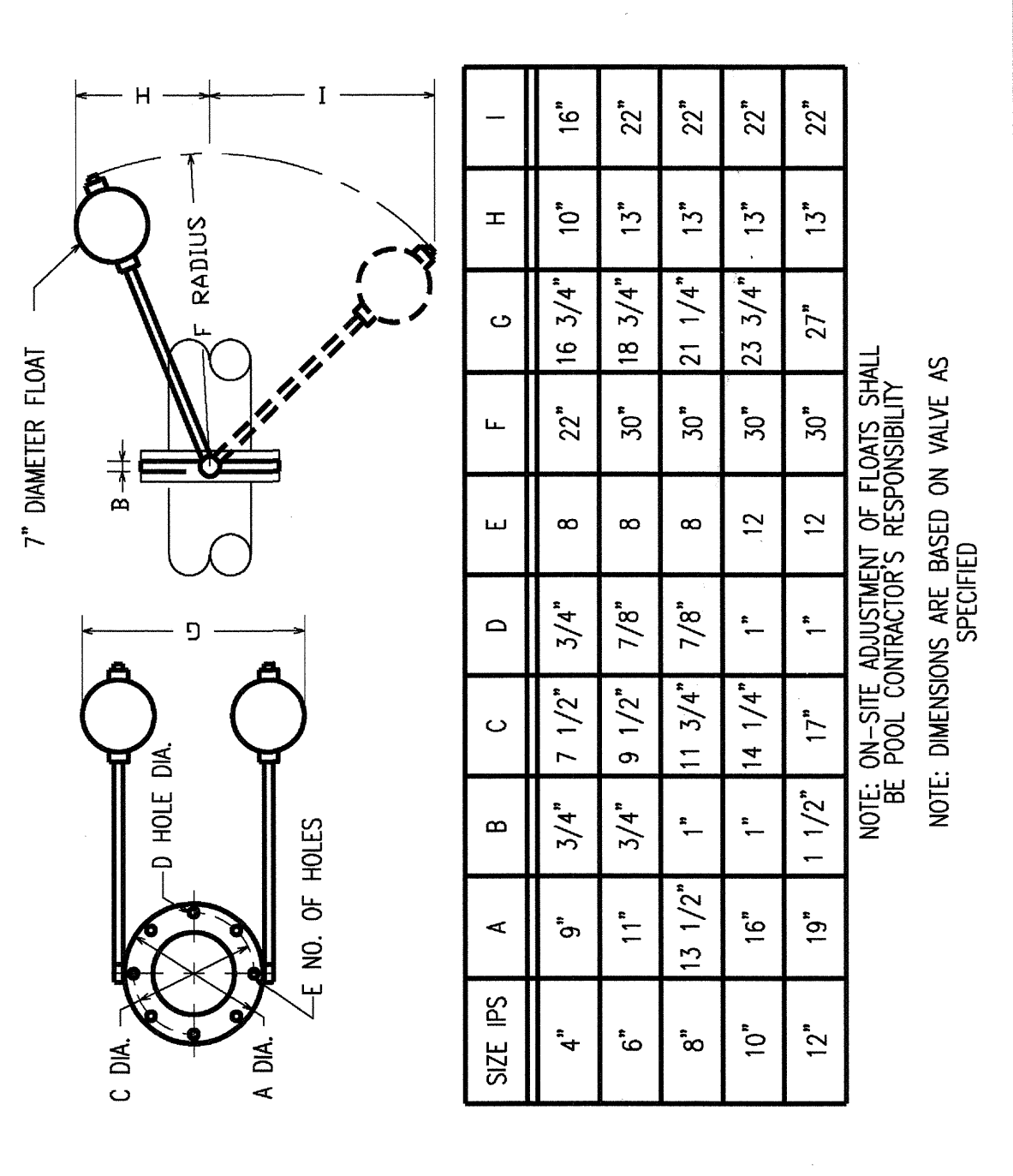
PL4.10-9
 TYPICAL THRUST BRACING DETAIL
 SCALE: NONE



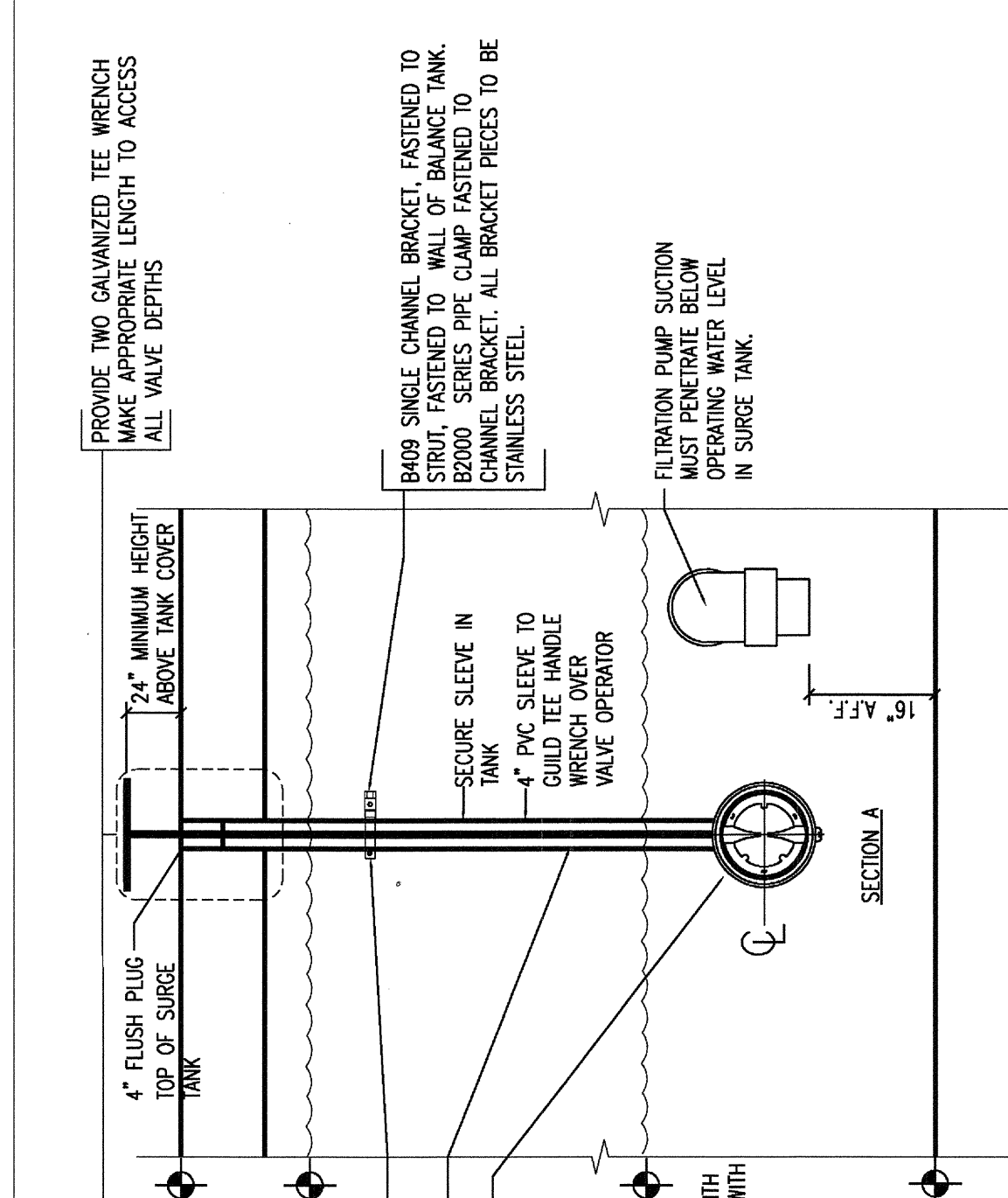
PL4.10-10
 TYPICAL THRUST BRACING DETAIL
 SCALE: NONE



PL4.10-11
 TYPICAL THRUST BRACING DETAIL
 SCALE: NONE



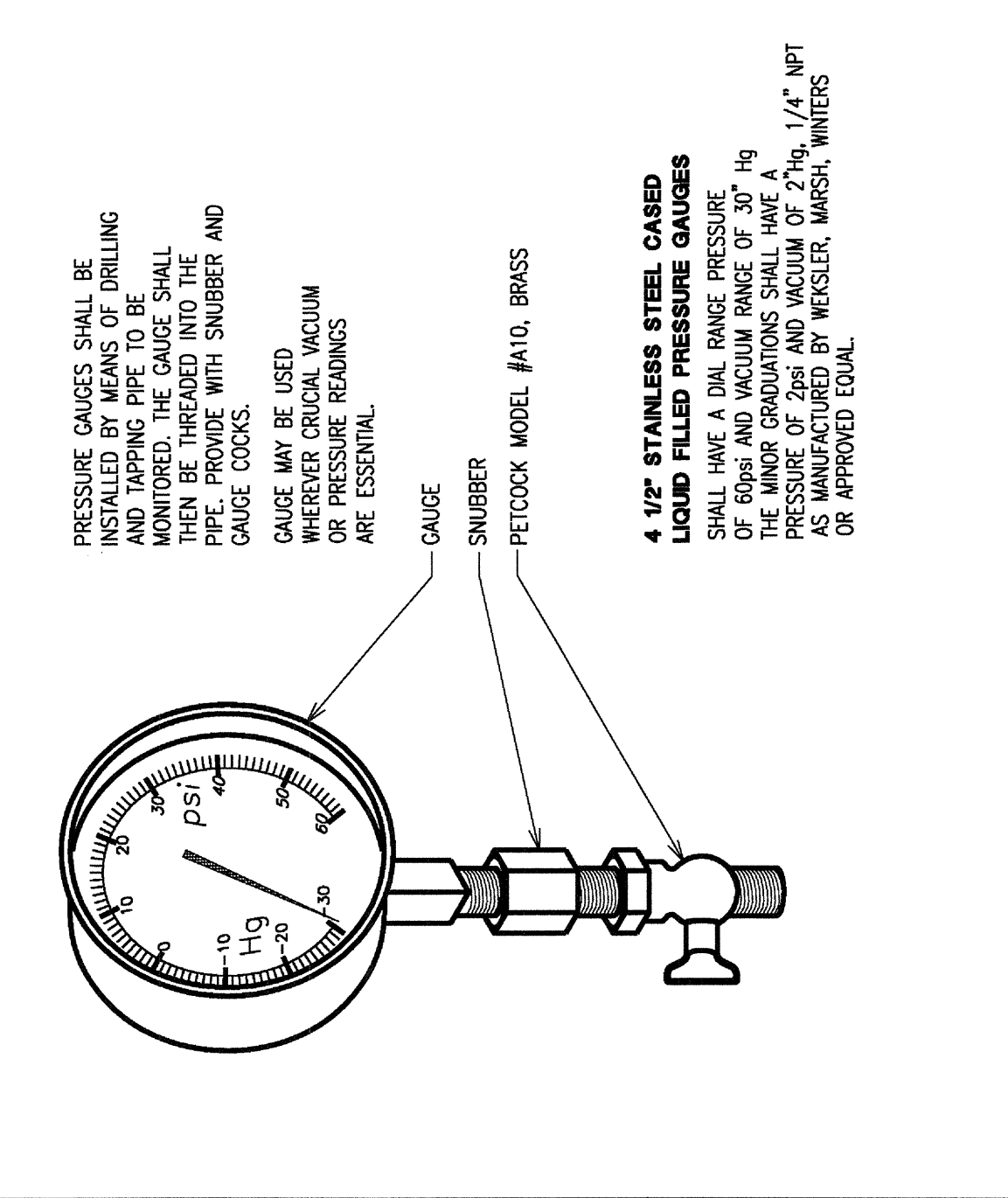
PL4.10-12
 TYPICAL THRUST BRACING DETAIL
 SCALE: NONE



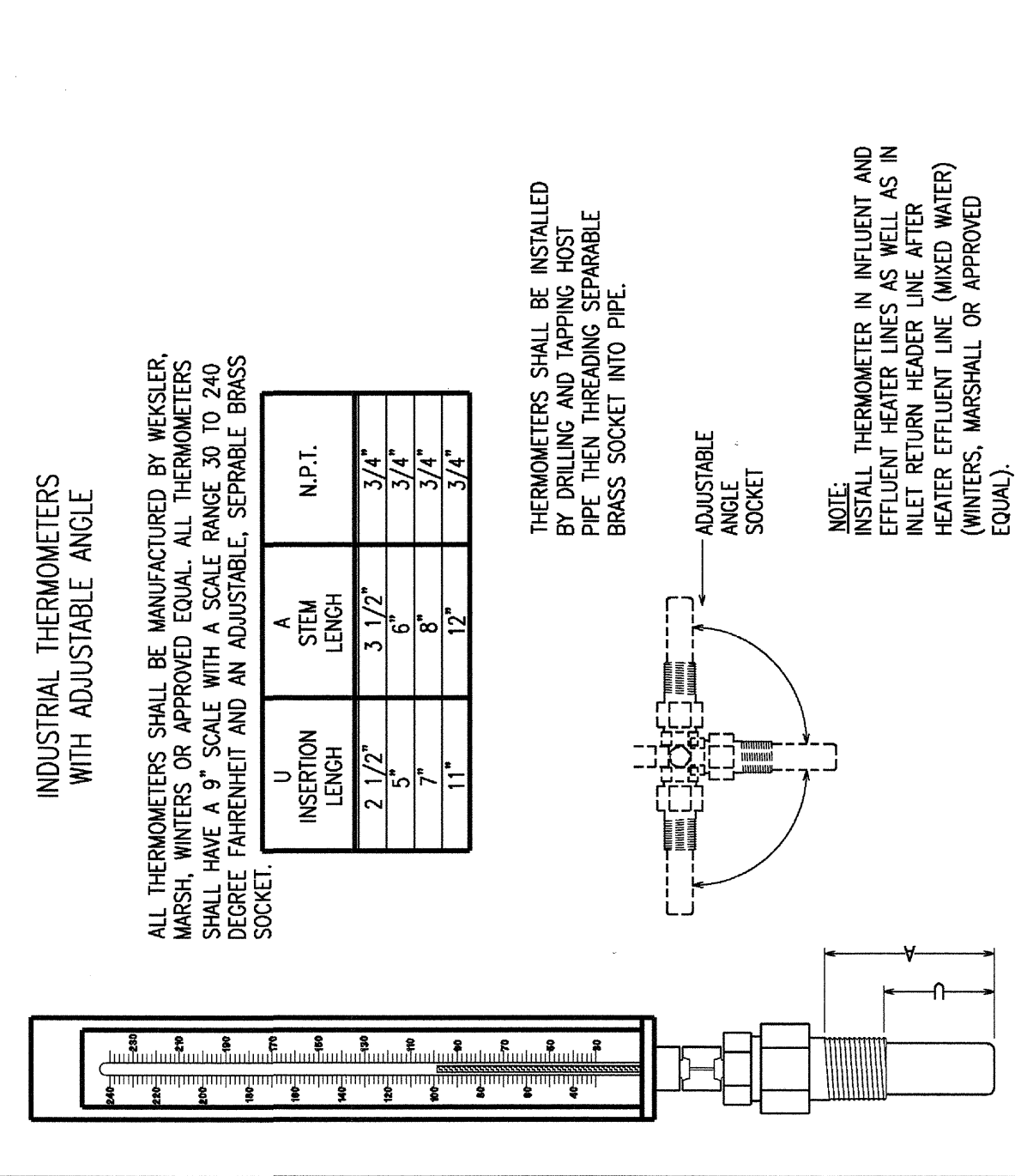
PL4.10-13
 TYPICAL THRUST BRACING DETAIL
 SCALE: NONE



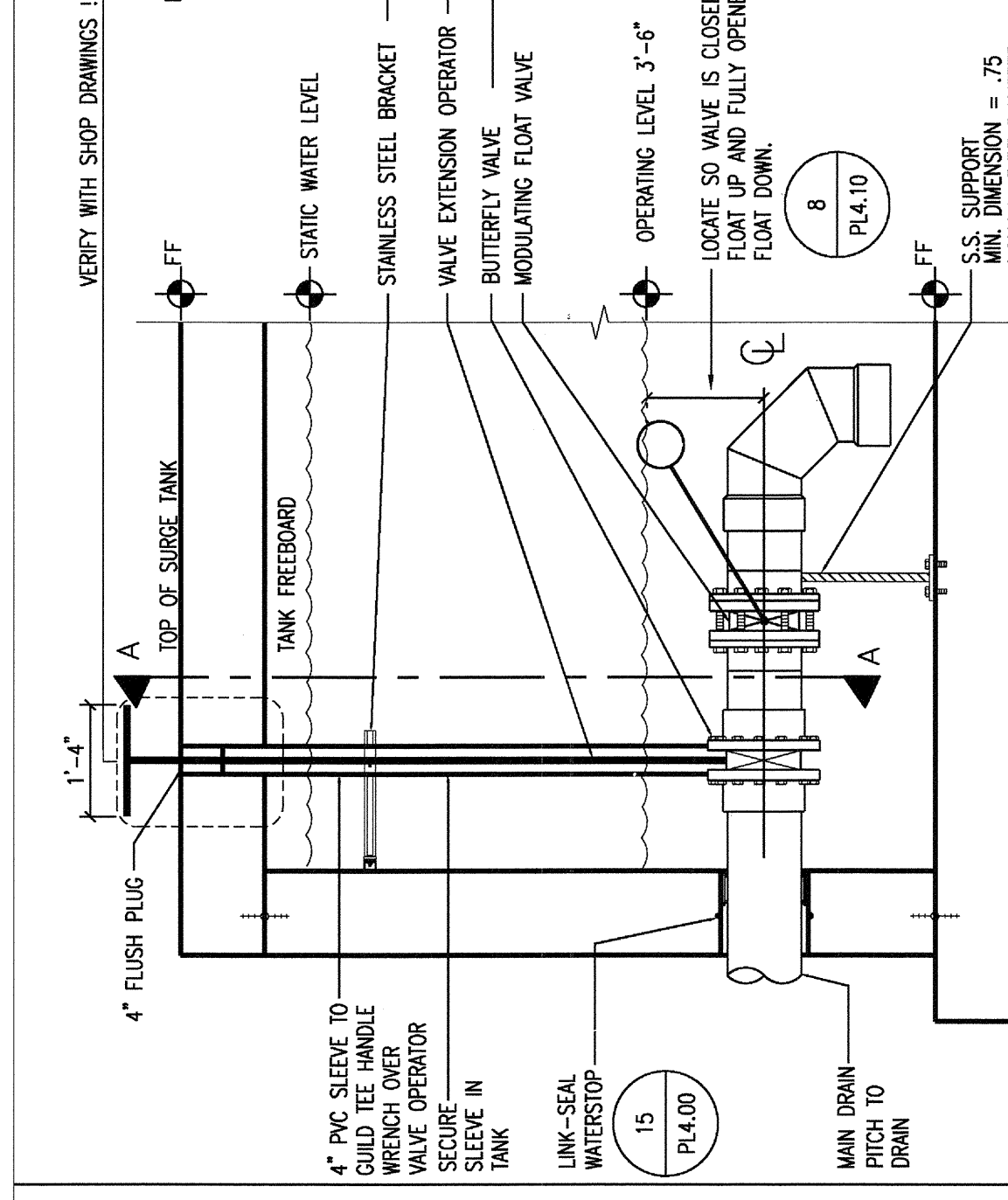
PL4.10-14
 TYPICAL THRUST BRACING DETAIL
 SCALE: NONE



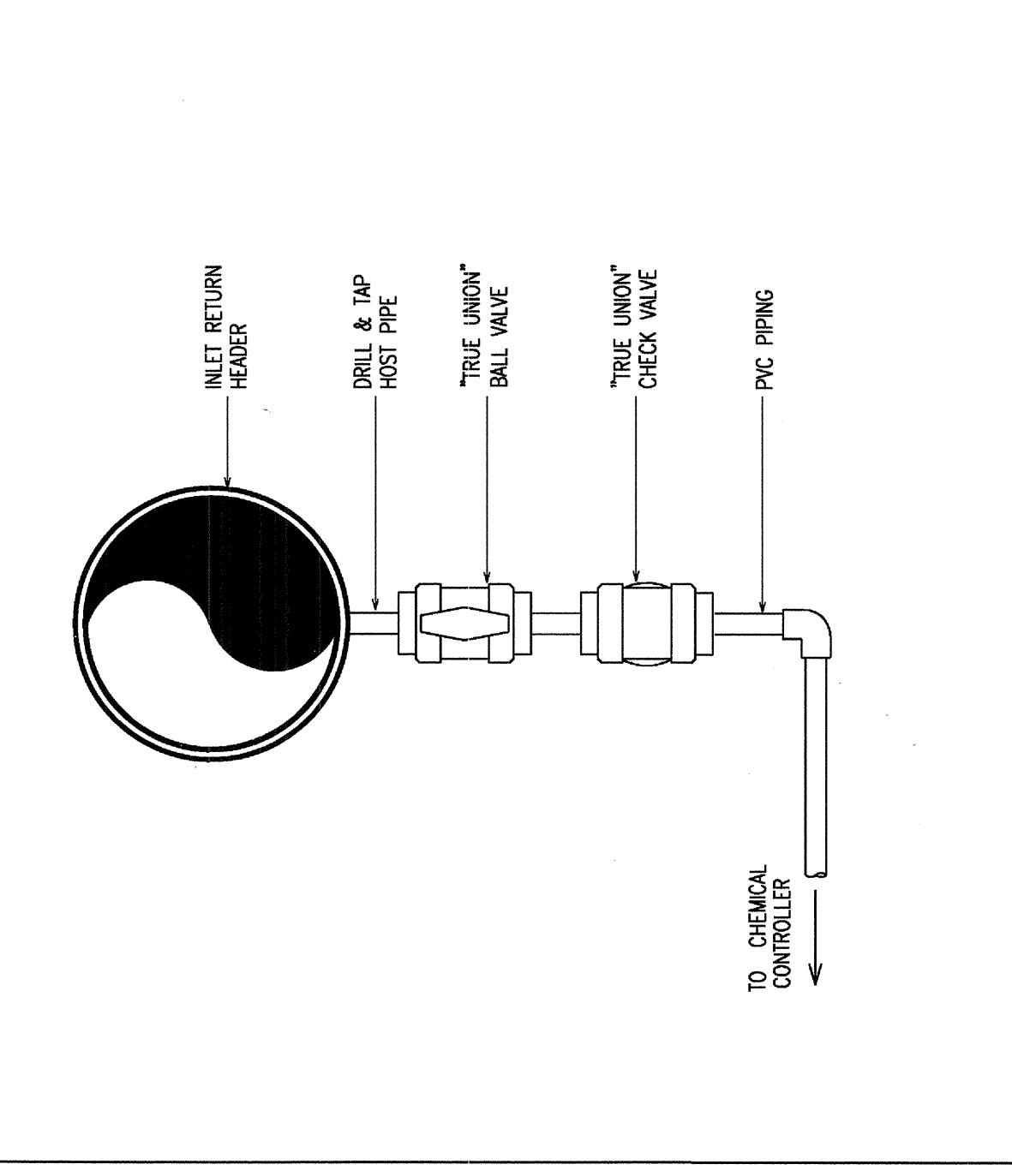
PL4.10-15
 TYPICAL THRUST BRACING DETAIL
 SCALE: NONE



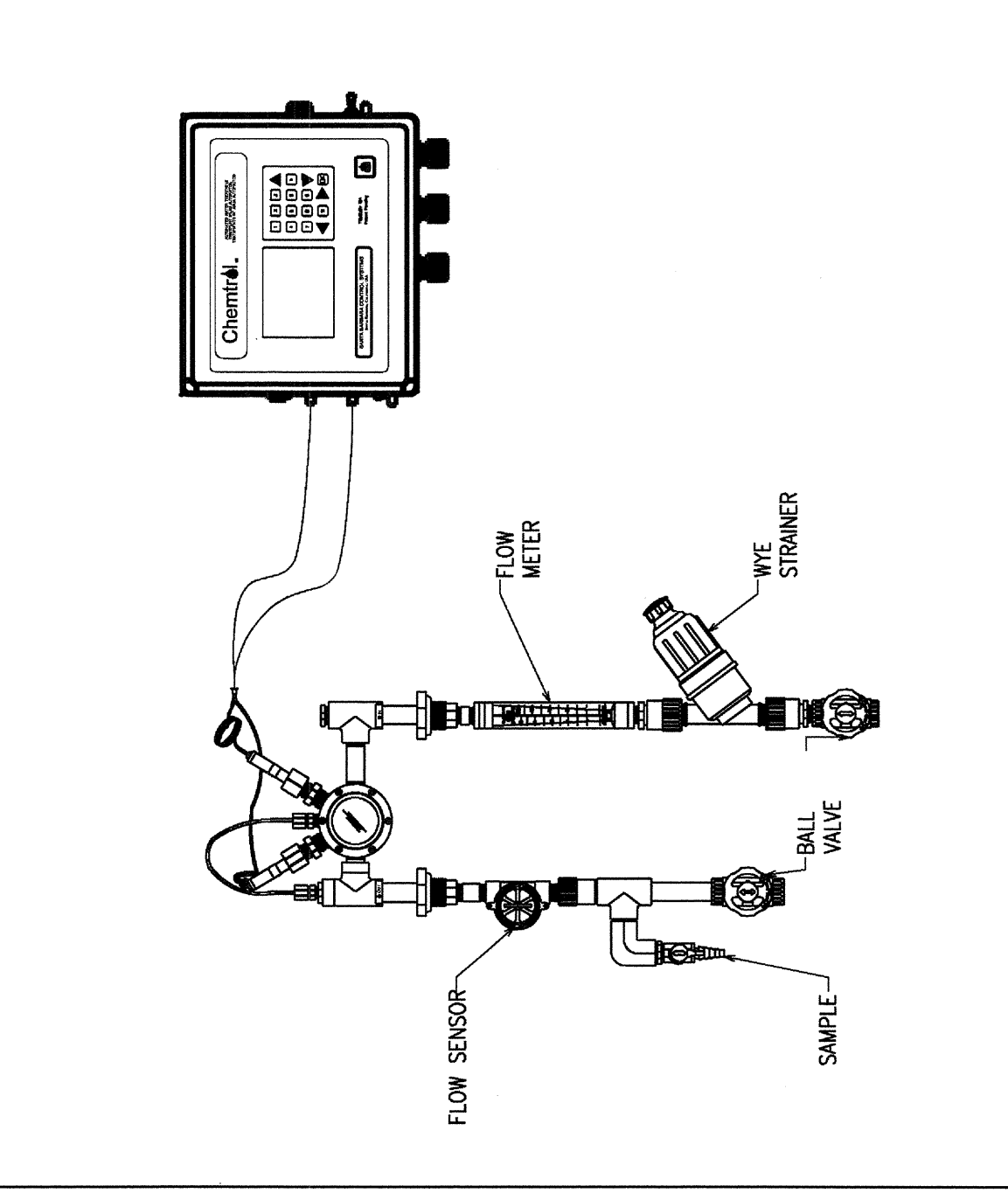
PL4.10-16
 TYPICAL THRUST BRACING DETAIL
 SCALE: NONE



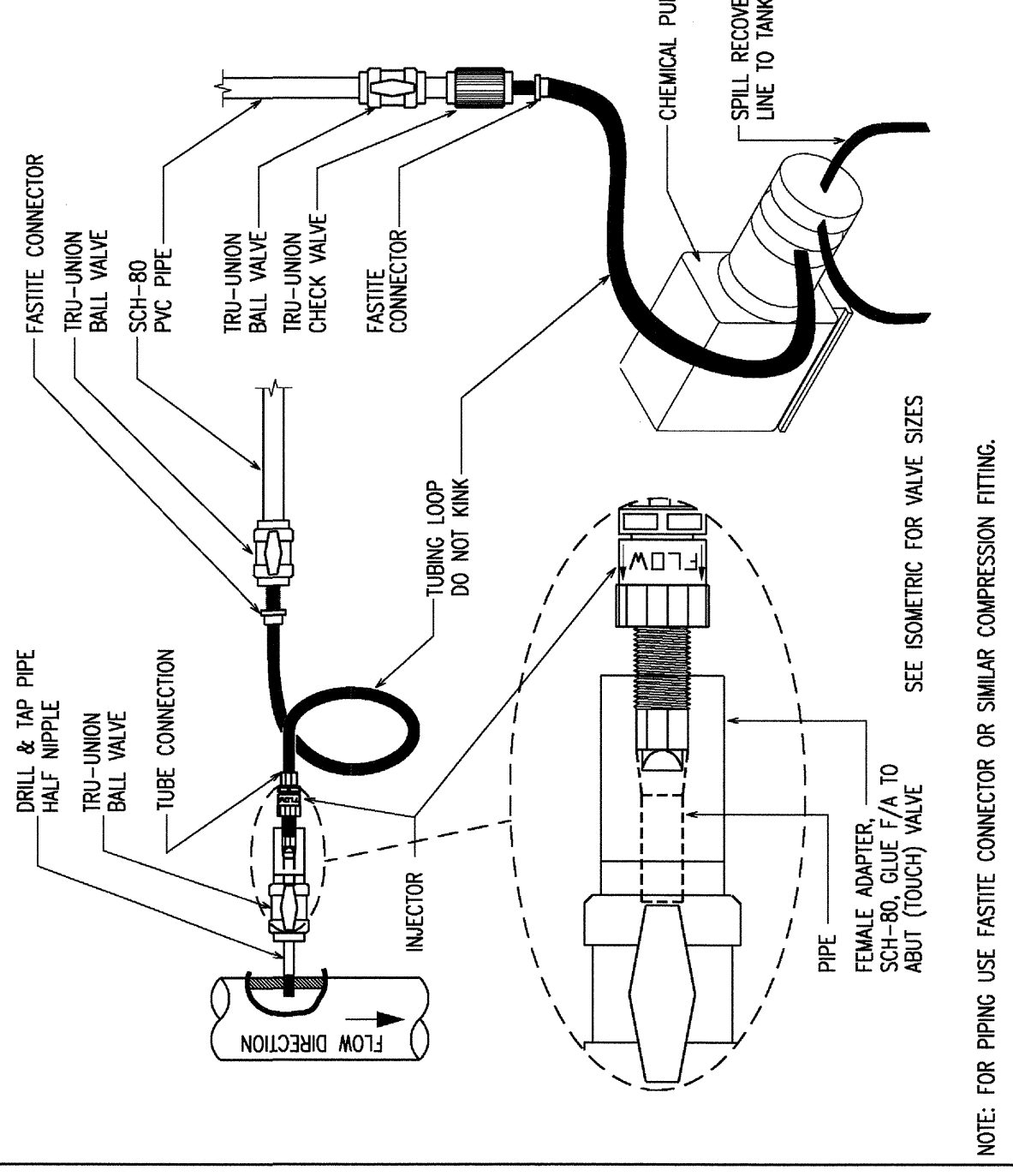
PL4.10-17
 TYPICAL THRUST BRACING DETAIL
 SCALE: NONE



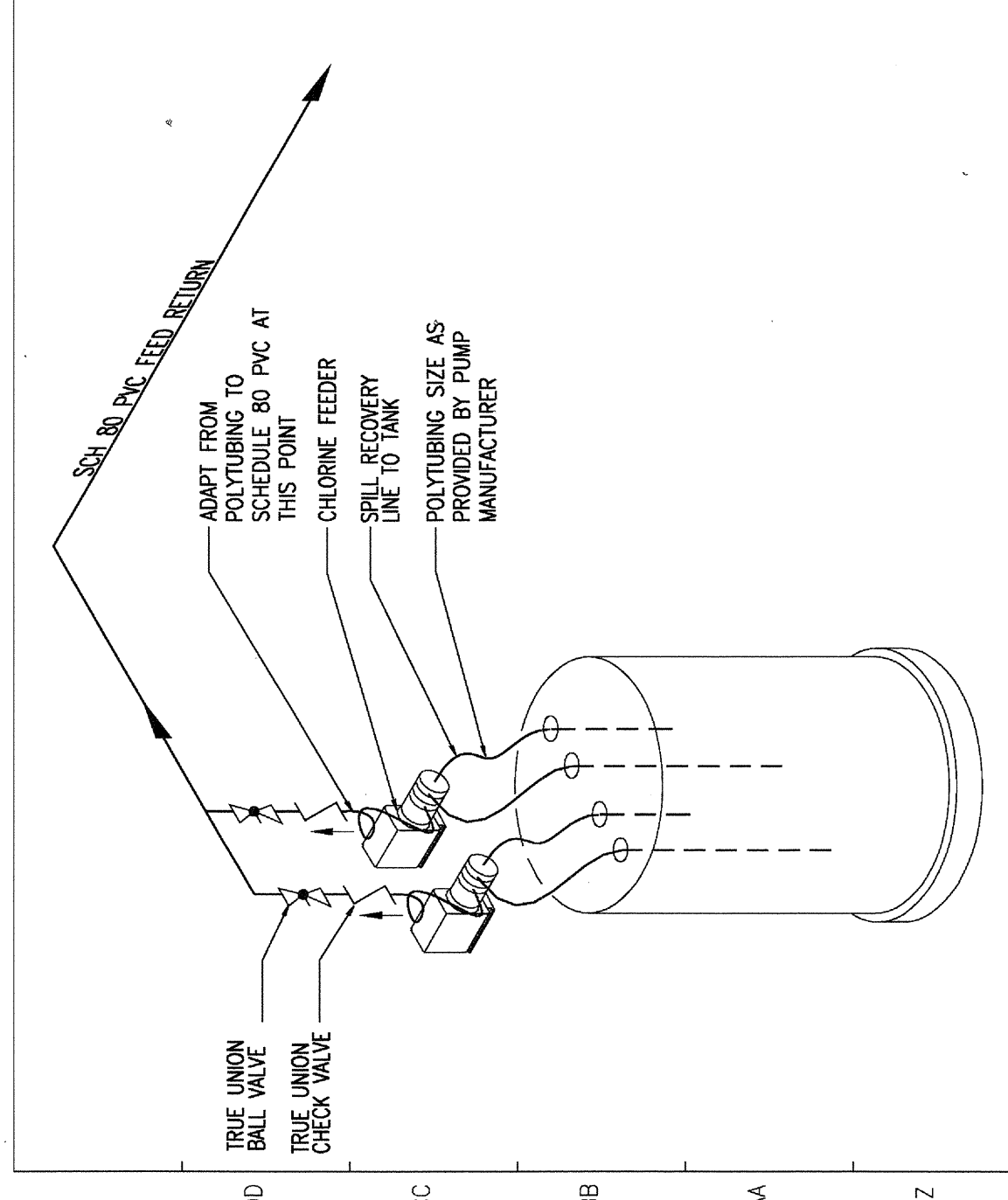
PL4.10-18
 TYPICAL THRUST BRACING DETAIL
 SCALE: NONE



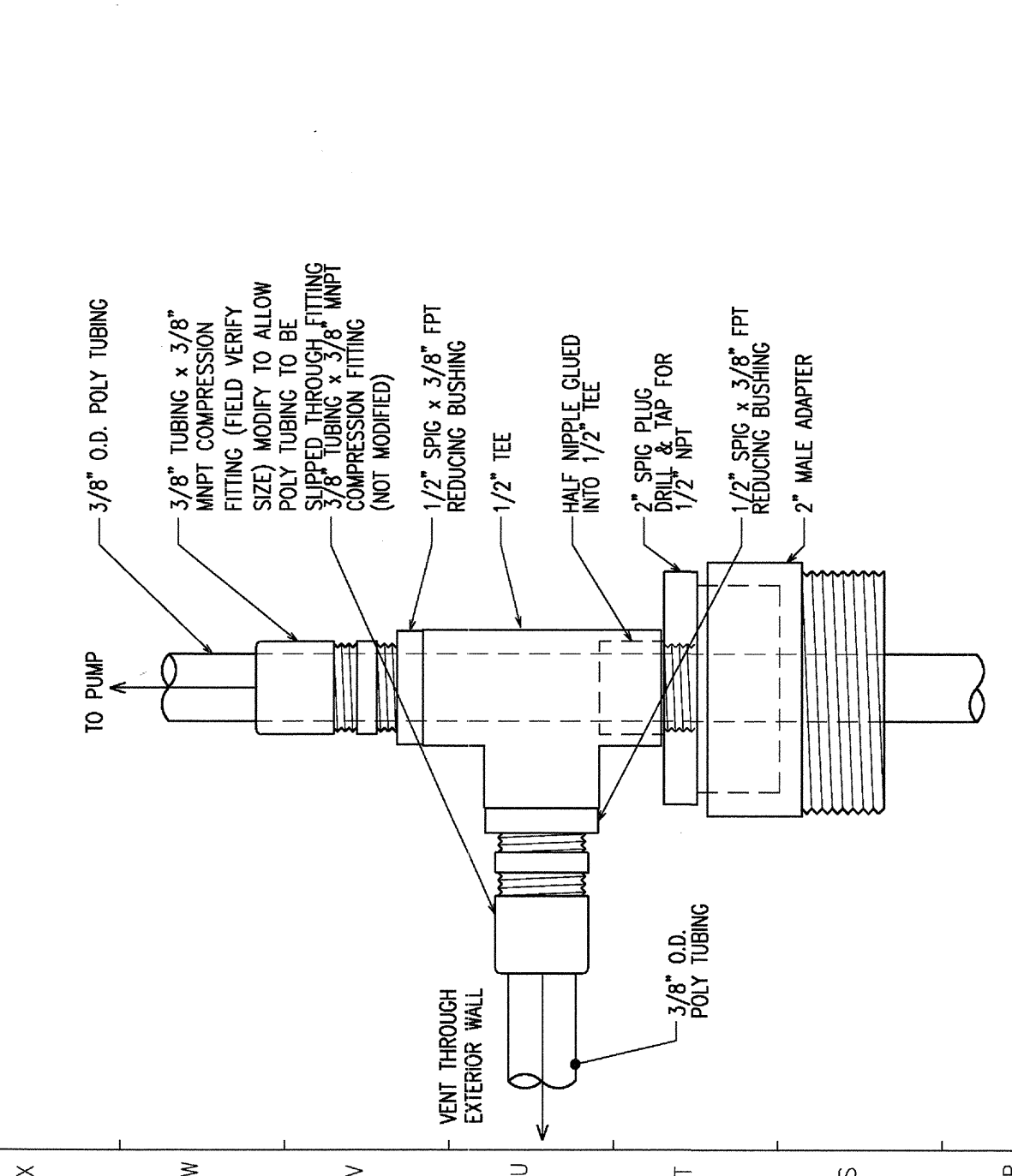
PL4.10-19
 TYPICAL THRUST BRACING DETAIL
 SCALE: NONE



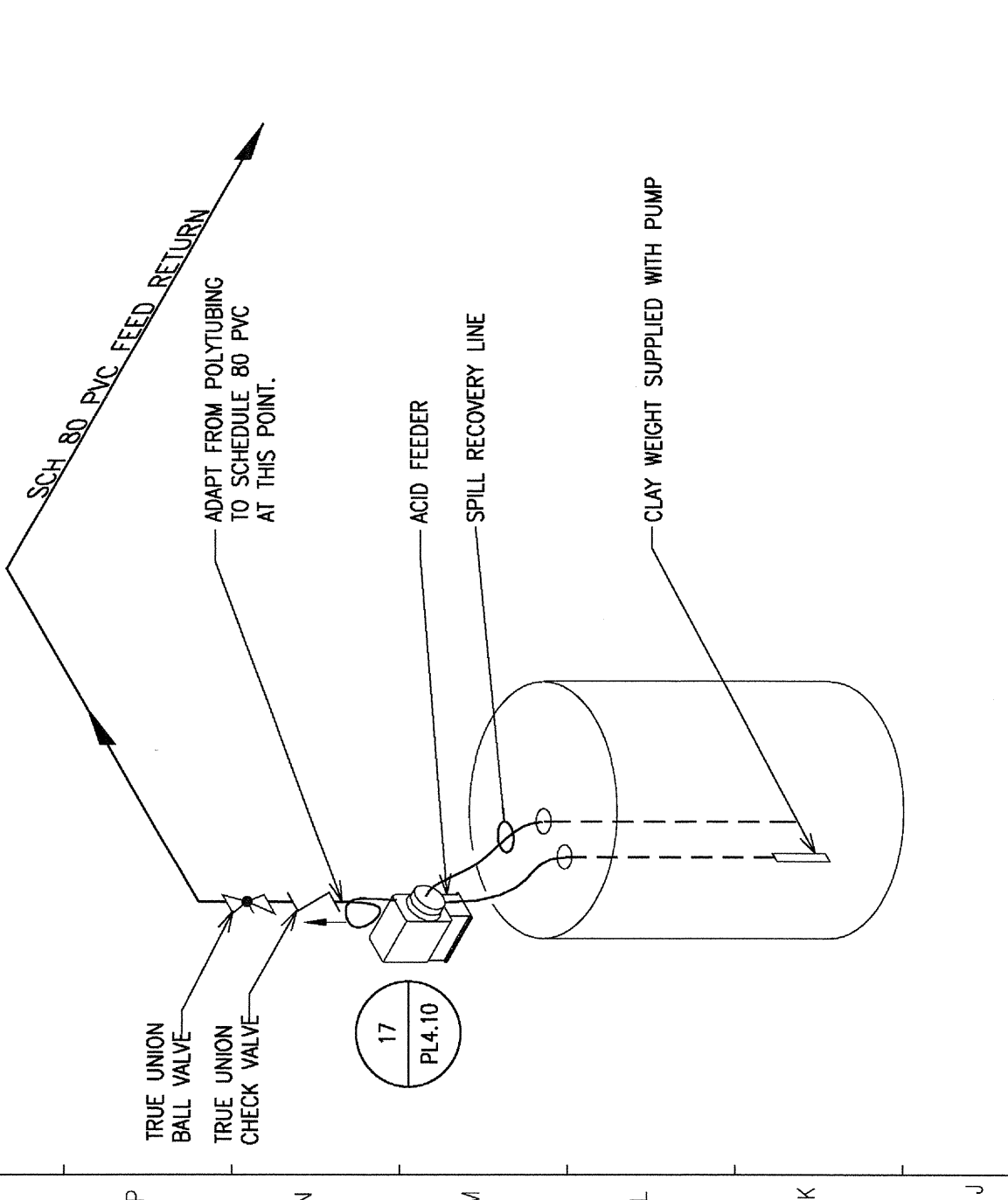
PL4.10-20
 TYPICAL THRUST BRACING DETAIL
 SCALE: NONE



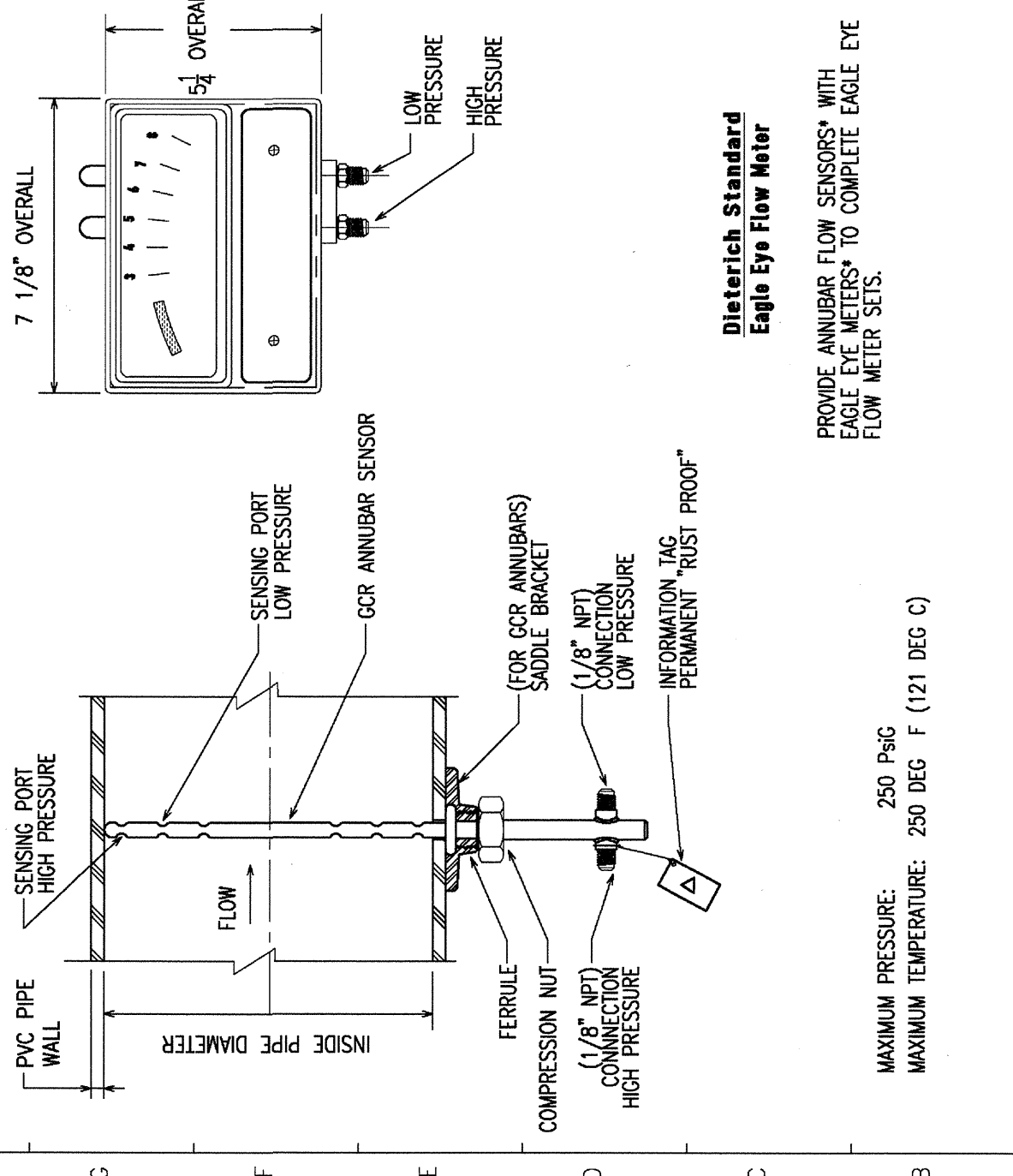
PL4.10-21
 TYPICAL THRUST BRACING DETAIL
 SCALE: NONE



PL4.10-22
 TYPICAL THRUST BRACING DETAIL
 SCALE: NONE



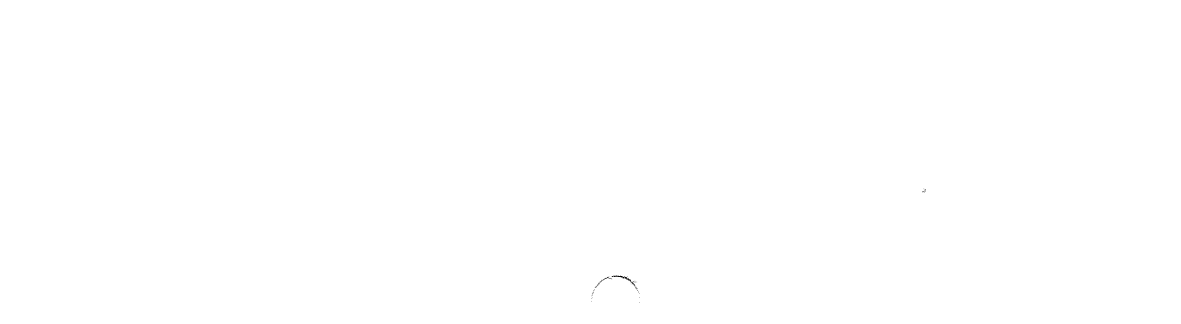
PL4.10-23
 TYPICAL THRUST BRACING DETAIL
 SCALE: NONE



PL4.10-24
 TYPICAL THRUST BRACING DETAIL
 SCALE: NONE



PL4.10-25
 TYPICAL THRUST BRACING DETAIL
 SCALE: NONE



PL4.10-26
 TYPICAL THRUST BRACING DETAIL
 SCALE: NONE



PL4.10-27
 TYPICAL THRUST BRACING DETAIL
 SCALE: NONE



PL4.10-28
 TYPICAL THRUST BRACING DETAIL
 SCALE: NONE